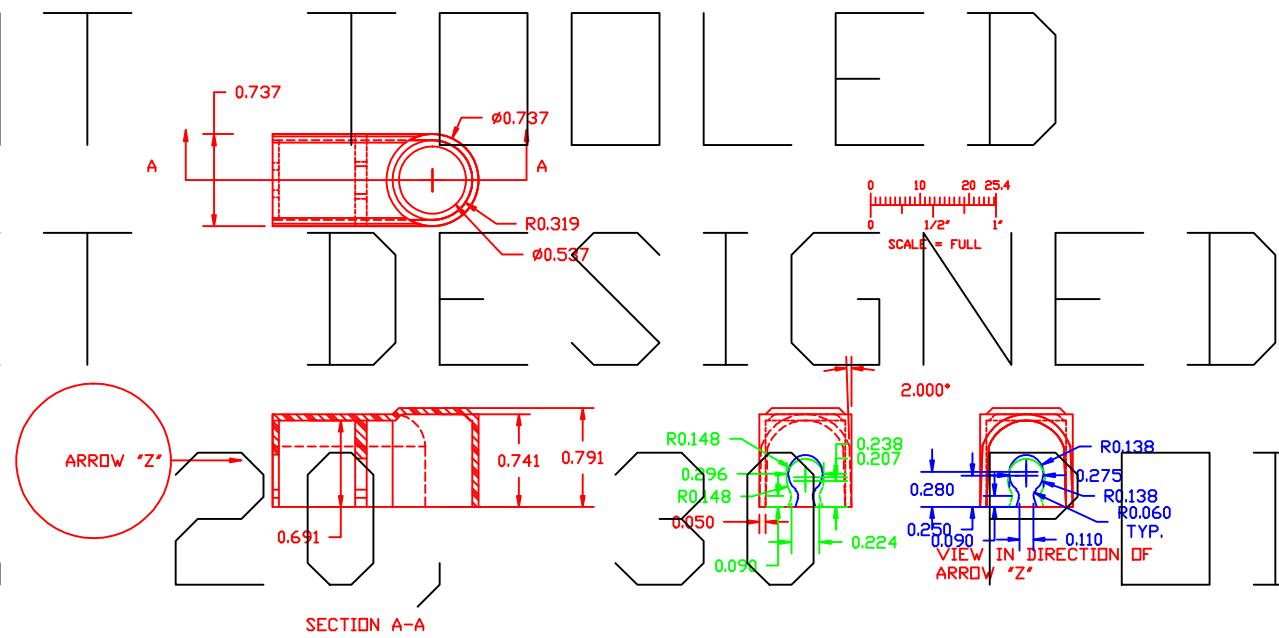


THE INFORMATION CONTAINED IN THIS DRAWING IS THE SOLE PROPERTY OF VTE INCORPORATED. ANY REPRODUCTION IN PART OR WHOLE WITHOUT THE WRITTEN PERMISSION OF VTE INCORPORATED IS PROHIBITED.

LTR.	REVISIONS	DATE
△	ADDED SUPPLEMENTAL CABLE GRIP	12JAN06
≡	ADDED GRIP FOR 8 GA. CABLE	09JUN08



Material: BLACK PVC  
 Material Part No: M105-95 BK  
 Shore Durometer: "A" 10 SEC. 98/92  
 Specific Gravity: 1.42  
 Ult. Elongation %: 175  
 Tensile Strength PSI: 2165  
 U.L. Rating: 94 V2

TOLERANCE UNLESS OTHERWISE SPECIFIED: ±.030"/±0.8mm  
 RADIAL DIAMETERS TO BE MEASURED OVER HANDBRELS,  
 RING GAGES OR PIN GAGES OF SUITABLE SIZE

		<b>VTE Incorporated</b> 5437 Robinson Road, P.O. Box 790 Pellston, Michigan 49769 Telephone: 1-800-527-9256, 231-539-8000 FAX: 231-539-0914	
REF: *****	DATE: 01AUG05	DRN BY: BRH	WEIGHT: *****
TITLE: SOLENOID TERMINAL INSULATOR		CHK'D BY: BRH	SCALE: *****
MATERIAL: *****		PART NO. 216T7 V14	
COLOR: *****	DRG CLASS *****		

NOT TO BE USED  
 YET DESIGNED FOR  
 10 TAB TYPE INSULATOR BAR