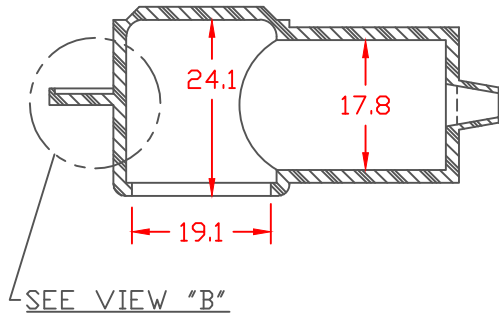


PROPRIETARY RIGHTS ARE CLAIMED FOR THE MATERIAL DISCLOSED IN THIS DRAWING.

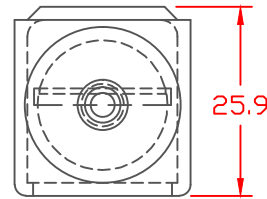
TYP. WALL THICKNESS = 1.8

LTR.	REVISIONS	DATE	INT.
△	UPDATED DIMENSION REFERENCE	25FEB16	RAS

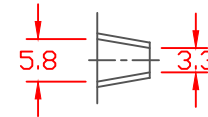
SEAL OPTIONS  
SEAL THICKNESS = .8



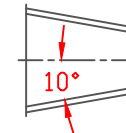
SECTION A-A



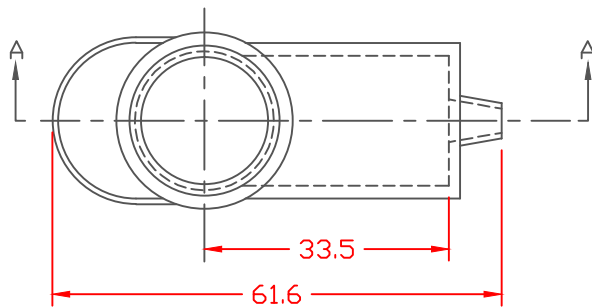
SEAL NO. 1 SHOWN



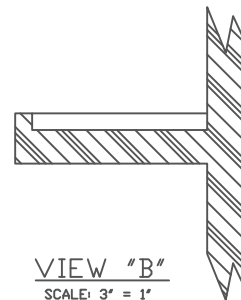
NO. 1  
Wire Gages  
18 - 10



NO. 2  
Cable Gages  
8 - 2



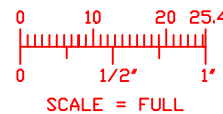
REFERENCE ONLY




VIEW "B"  
SCALE: 3" = 1"

TOLERANCE UNLESS OTHERWISE SPECIFIED: ±.030"/±0.8mm  
RADIAL DIAMETERS TO BE MEASURED OVER MANDRELS,  
RING GAGES OR PIN GAGES OF SUITABLE SIZE

VTE Material Part No:	1201750100
Material:	CLEAR PVC
Material Part No:	2900-75C (NOT REACH COMPLIANT)
Max. Operating Temp:	90 C
Shore Durometer:	"A" 75
Specific Gravity:	1.20
Ult. Elongation %:	430
Tensile Strength PSI:	2200



		<b>VTE Incorporated</b> 5437 Robinson Road, P.O. Box 790 Pellston, Michigan 49769 Telephone: 1-800-527-9256, 231-539-8000 FAX: 231-539-0914	
		REF:	DATE:
	3-20-98	CHK'D BY:	.019 LBS. / 8.75 G.
TITLE: TERMINAL INSULATOR CAP			
MATERIAL:		PART NO.	
		220N1V00	
COLOR:	DRG CLASS		