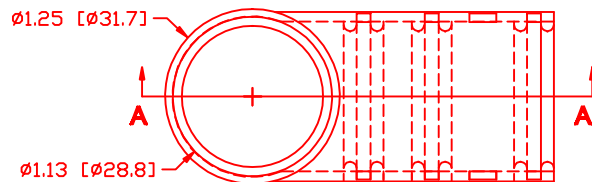
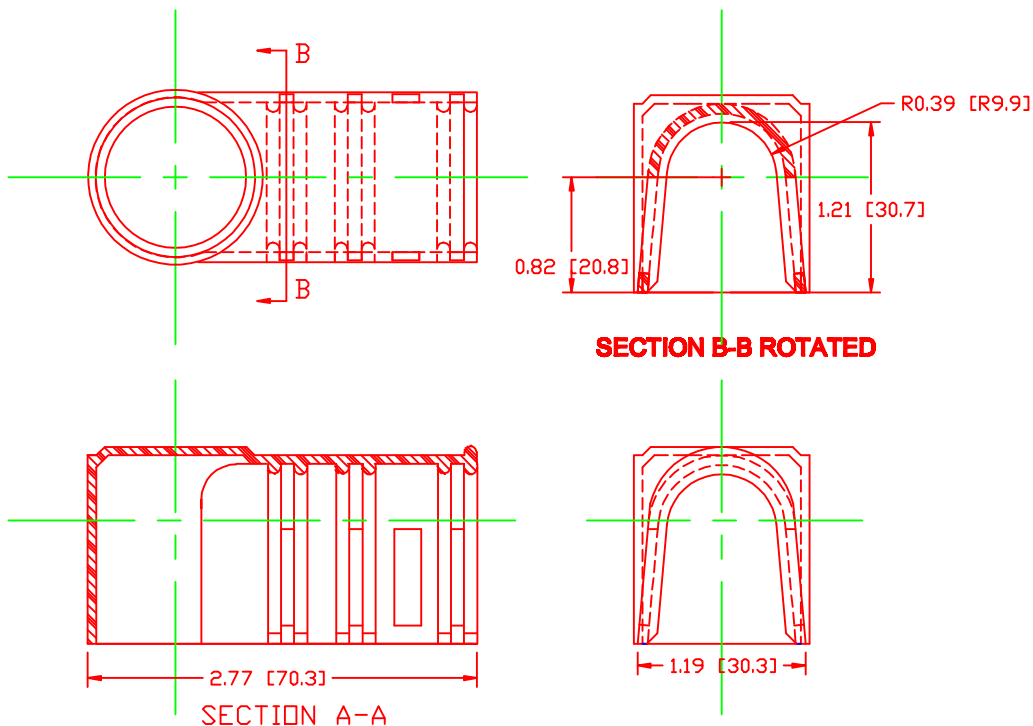
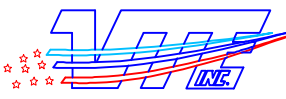


THE INFORMATION CONTAINED IN THIS DRAWING IS THE SOLE PROPERTY OF VTE INCORPORATED. ANY REPRODUCTION IN PART OR WHOLE WITHOUT THE WRITTEN PERMISSION OF VTE INCORPORATED IS PROHIBITED.

LTR.	REVISIONS	DATE
✖	*****	00-00-98



MATERIAL: HALOGEN FREE, FIRE RETARDANT THERMOPLASTIC OLEFIN
ELONGATION: 200%
MEETS: U.L. 94-V2
LIMITING OXYGEN INDEX: 37%
SPECIFIC GRAVITY: 1.05 - 1.10
MINIMUM TENSILE STRENGTH: 1500 PSI
COLOR: RED

		VTE Incorporated 5437 Robinson Road, P.O. Box 790 Pellston, Michigan 49769 Telephone: 1-800-527-9256, 231-539-8000 FAX: 231-539-0914	
		REF:	DATE:
	26-JUL-00	BRH	18 grams
TITLE: TERMINAL INSULATOR CAP			
MATERIAL: AS NOTED		PART NO.	
COLOR: NOTED		228T9H02	
	DRG CLASS		