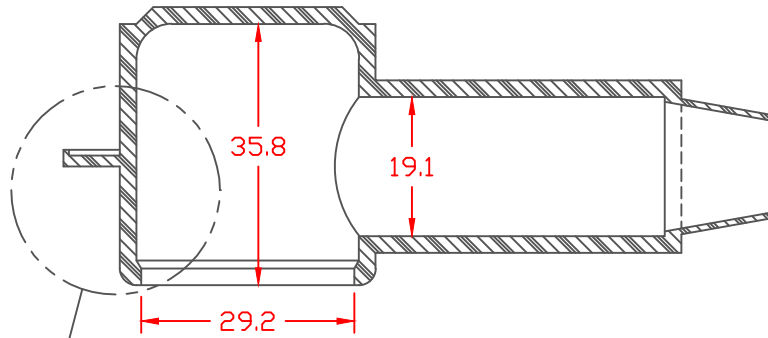


PROPRIETARY RIGHTS ARE CLAIMED FOR THE MATERIAL DISCLOSED IN THIS DRAWING.

TYP. WALL THICKNESS = 2.3
SEAL NO. 3 SHOWN

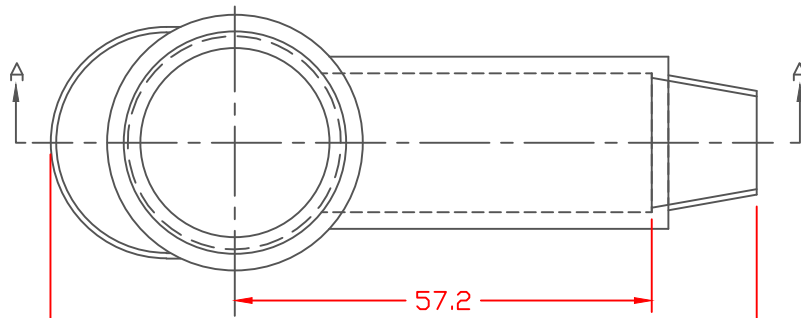
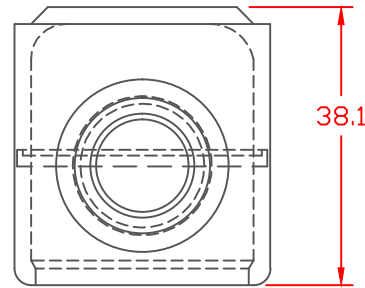
LTR.	REVISIONS	DATE	INT.
△	UPDATED DIMENSION REFERENCE	25FEB16	RAS

SEAL OPTIONS
SEAL THICKNESS = .8

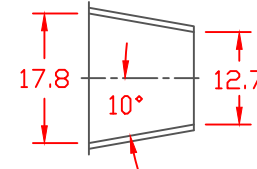
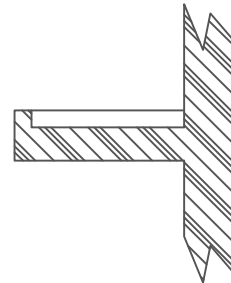


SEE VIEW "B"

SECTION A-A



REFERENCE ONLY



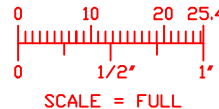
NO. 3
Cable Gages
2 - 2/0


VIEW "B"
SCALE: 3" = 1"

TOLERANCE UNLESS OTHERWISE SPECIFIED: ±.030"/±0.8mm
RADIAL DIAMETERS TO BE MEASURED OVER MANDRELS,
RING GAGES OR PIN GAGES OF SUITABLE SIZE

VTE MATERIAL P/N:
MATERIAL:
MATERIAL PART NUMBER:
MAX. OPERATING TEMP.:
SHORE DUROMETER:
SPECIFIC GRAVITY:
ULT. ELONGATION %:
BRITTLE TEMP.:
TENSILE STRENGTH, PSI:
LIMITING OXYGEN INDEX, %:

1203700115
NATURAL THERMOPLASTIC ELASTOMER
SANTOPRENE 251-70W232
NO DATA
"A" 5 SEC. 68/72
1.23
460
-70.6 C.
798 PSI
26



		VTE Incorporated 5437 Robinson Road, P.O. Box 790 Pellston, Michigan 49769 Telephone: 1-800-527-9256, 231-539-8000 FAX: 231-539-0914		
		REF:	DATE:	DRN BY: JC
		3-24-98	CHK'D BY:	.052 LBS. / 23.7 G
TITLE: TERMINAL INSULATOR CAP				
MATERIAL:		PART NO.		
		230E3T15		
COLOR:	DRG CLASS			