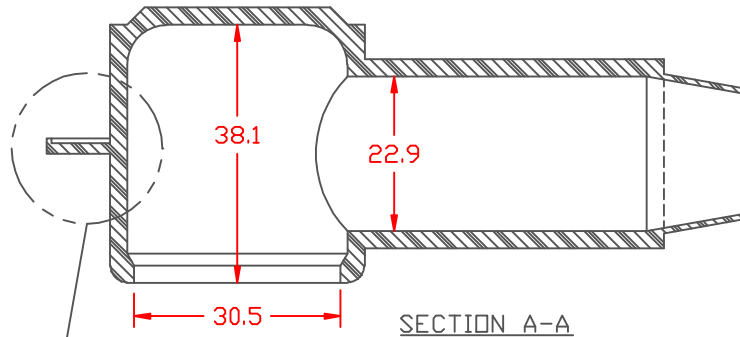


PROPRIETARY RIGHTS ARE CLAIMED FOR THE MATERIAL DISCLOSED IN THIS DRAWING.

TYP. WALL THICKNESS = 2.5

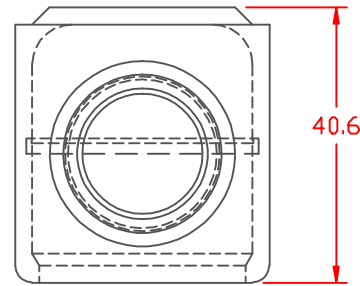
LTR.	REVISIONS	DATE
☞	*****	00-00-98



SECTION A-A

SEAL NO. 4 SHOWN

SEE VIEW "B"

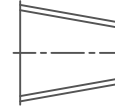


SEAL OPTIONS

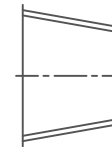
SEAL THICKNESS = .8



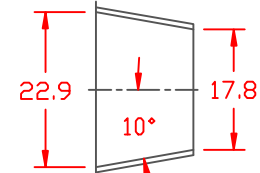
NO. 1
Wire Gages
18 - 10



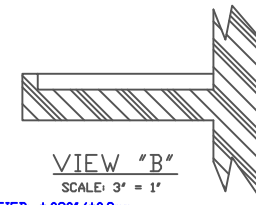
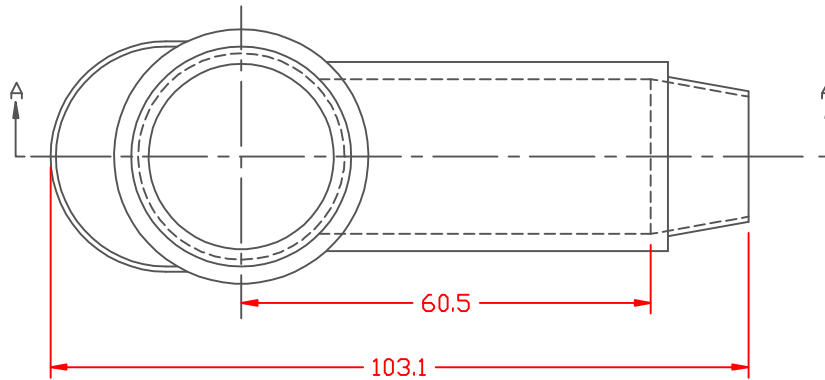
NO. 2
Cable Gages
8 - 2



NO. 3
Cable Gages
2 - 2/0

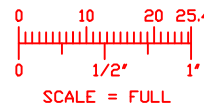


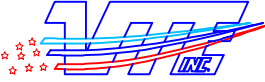
NO. 4
Cable Gages
2/0 - 4/0



TOLERANCE UNLESS OTHERWISE SPECIFIED: ±.030"/±0.8mm
RADIAL DIAMETERS TO BE MEASURED OVER MANDRELS, RING GAGES
OR PIN GAGES OF SUITABLE SIZE

Material:	Red Thermoplastic Rubber
Material Part No:	APA Alcryn 2060NC or Equivalent
Max. Operating Temp:	125 C.
Shore Durometer:	"A" 10 SEC. 55-65
Specific Gravity:	1.12
Ult. Elongation %:	420
Brittle Temp:	-85 C.
Tensile Strength PSI:	1150 PSI
Dielectric Strength, v./ml:	365
U.L. Rating:	No Data



		VTE Incorporated 5437 Robinson Road, P.O. Box 790 Pellston, Michigan 49769 Telephone: 1-800-527-9256, 231-539-8000 FAX: 231-539-0914	
		REF:	DATE:
	3-25-98	CHK'D BY:	.068 LBS. / 30.7 G.
TITLE: TERMINAL INSULATOR CAP			
MATERIAL:		PART NO.	
		232E4T02	
COLOR:	DRG CLASS		