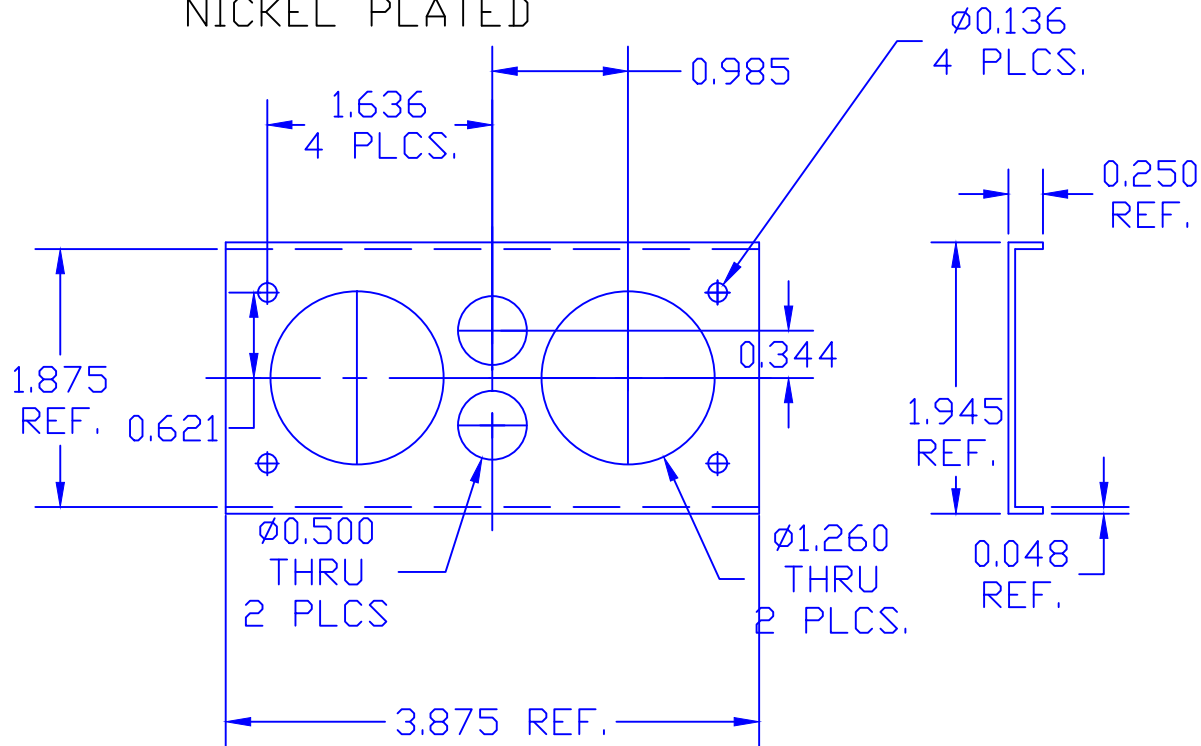


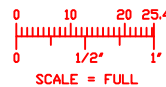
THE INFORMATION CONTAINED IN THIS DRAWING IS THE SOLE PROPERTY OF VTE INCORPORATED. ANY REPRODUCTION IN PART OR WHOLE WITHOUT THE WRITTEN PERMISSION OF VTE INCORPORATED IS PROHIBITED.


LTR.	REVISIONS	DATE
⌒	MODIFIED TO AGREE WITH MOLDED PARTS	30OCT07

MATERIAL: 18 GA. MILD STEEL
NICKEL PLATED



TOLERANCE UNLESS OTHERWISE SPECIFIED:
HARDWARE ITEMS: ± 0.010 "/ ± 0.25 mm
RADIAL DIAMETERS TO BE MEASURED OVER MANDRELS,
RING GAGES OR PIN GAGES OF SUITABLE SIZE



		VTE Incorporated 5437 Robinson Road, P.O. Box 790 Pellston, Michigan 49769 Telephone: 1-800-527-9256, 231-539-8000 FAX: 231-539-0914	
		REF: *****	DATE: 18SEP07
TITLE: DRILL GUIDE / SHIPPING PLATE			SCALE:
MATERIAL: NOTED		PART NO. 30701	
COLOR: *****	DRG CLASS *****		