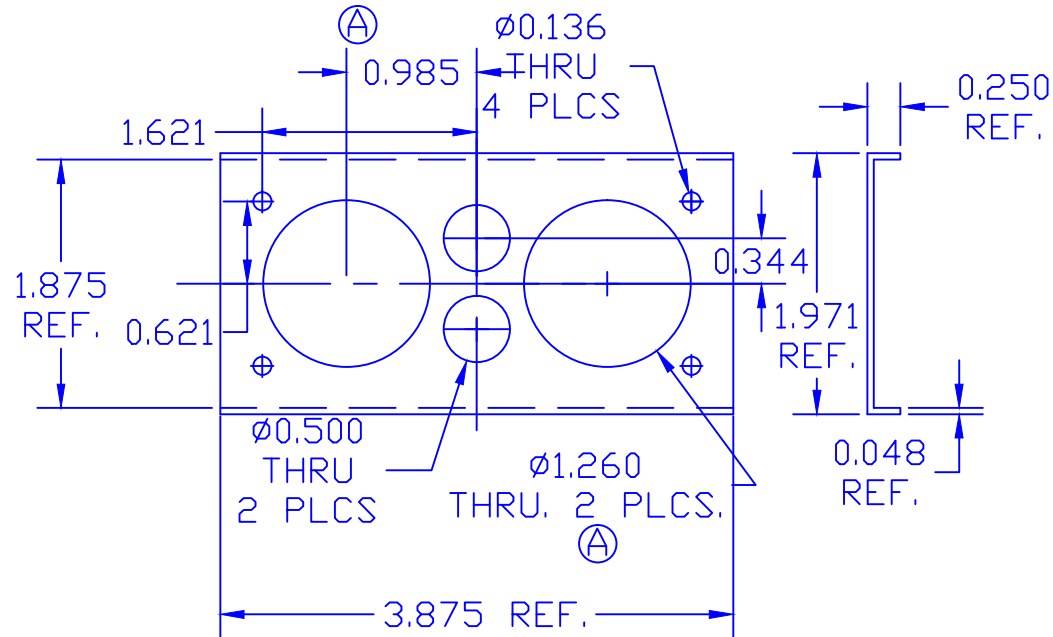


THE INFORMATION CONTAINED IN THIS DRAWING IS THE SOLE PROPERTY OF VTE INCORPORATED. ANY REPRODUCTION IN PART OR WHOLE WITHOUT THE WRITTEN PERMISSION OF VTE INCORPORATED IS PROHIBITED.

LTR.	REVISIONS	DATE
△	MODIFIED TO AGREE WITH MOLDED PARTS	06FEB08

MATERIAL: 18 GA. ALUMINUM



TOLERANCE UNLESS OTHERWISE SPECIFIED:
 HARDWARE ITEMS: ±.010"/±0.25mm
 RADIAL DIAMETERS TO BE MEASURED OVER MANDRELS,
 RING GAGES OR PIN GAGES OF SUITABLE SIZE



VTE Incorporated
 5437 Robinson Road, P.O. Box 790
 Pellston, Michigan 49769
 Telephone: 1-800-527-9256, 231-539-8000
 FAX: 231-539-0914



REF: ***	DATE: 18SEP07	DRN BY: BRH	WEIGHT: ***
TITLE: DRILL GUIDE / SHIPPING PLATE		CHK'D BY: BRH	SCALE:
MATERIAL: NOTED		PART NO. 30702	
COLOR: ***	DRG CLASS: ***		