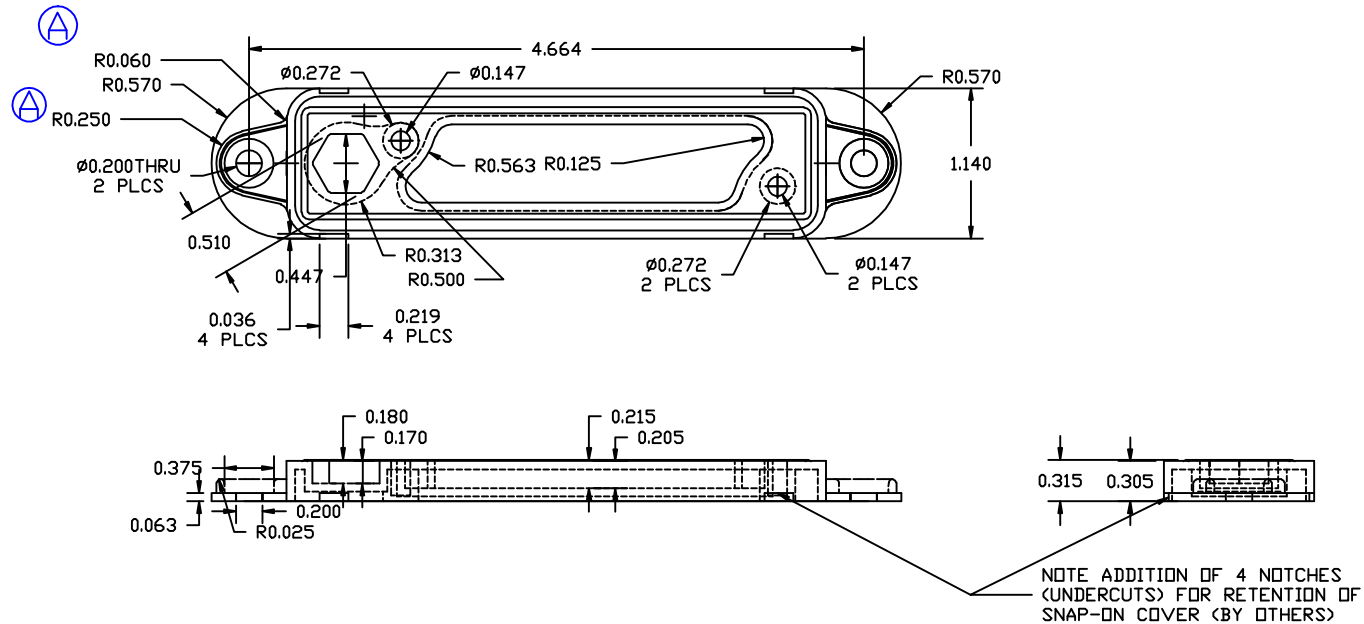


THE INFORMATION CONTAINED IN THIS DRAWING IS THE SOLE PROPERTY OF VTE INCORPORATED. ANY REPRODUCTION IN PART OR WHOLE WITHOUT THE WRITTEN PERMISSION OF VTE INCORPORATED IS PROHIBITED.

LTR.	REVISIONS	DATE
△	MODIFIED BOSS AT MOUNTING HOLE	12JUN07

P/N 31225 BASEPLATE
 MATERIAL: 16% GLASS FILLED NYLON
 (RED AND BLACK VERSIONS)



TOLERANCE UNLESS OTHERWISE SPECIFIED: $\pm 0.30^{\circ} / \pm 0.8\text{mm}$
 RADIAL DIAMETERS TO BE MEASURED OVER MANDRELS,
 RING GAGES OR PIN GAGES OF SUITABLE SIZE



VTE Incorporated
 5437 Robinson Road, P.O. Box 790
 Pellston, Michigan 49769
 Telephone: 1-800-527-9256, 231-539-8000
 FAX: 231-539-0914

REF:	DATE:	DRN BY: BRH	WEIGHT:
***	27JUN05	CHK'D BY: BRH	***
TITLE: 1/4" 12 WAY CONTACT BLOCK BASE			SCALE:
MATERIAL:		PART NO.	
COLOR: ***	DRG CLASS: ***	31225	