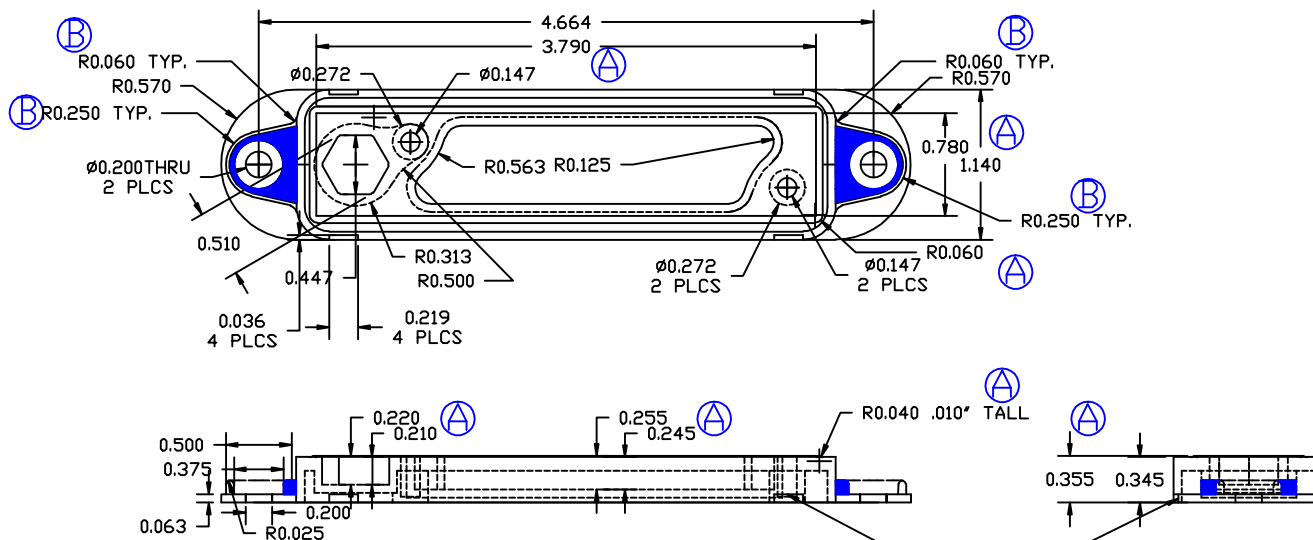


THE INFORMATION CONTAINED IN THIS DRAWING IS THE SOLE PROPERTY OF VTE INCORPORATED. ANY REPRODUCTION IN PART OR WHOLE WITHOUT THE WRITTEN PERMISSION OF VTE INCORPORATED IS PROHIBITED.

LTR.	REVISIONS	DATE
△	355 WAS .315, .345 WAS .305, .255 WAS .215, 245 WAS .205, 220 WAS .180, .210 WAS .170 ADDED DIMENSIONS FOR FEATURE LINE ON FACE SURFACE	12AUG05
Ⓑ	ADDED R. 0.060*4 PLCS. , R.0.250* WAS .500*	14JUN07

P/N 31225 N02 BASEPLATE



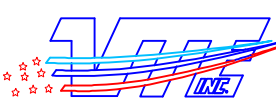
NOTE ADDITION OF 4 NOTCHES (UNDERCUTS) FOR RETENTION OF SNAP-ON COVER (BY OTHERS)



TOLERANCE UNLESS OTHERWISE SPECIFIED: ±0.30*/±0.8mm
RADIAL DIAMETERS TO BE MEASURED OVER MANDRELS,
RING GAGES OR PIN GAGES OF SUITABLE SIZE

BASE MATERIAL:
BASE MATERIAL U.L. RATING:
VTE MATERIAL PART NUMBER:

GLASS-REINFORCED NYLON
94 HB
111210515
PLUS COLORANT # 1214000002
AS REQ'D.

		VTE Incorporated 5437 Robinson Road, P.O. Box 790 Pellston, Michigan 49769 Telephone: 1-800-527-9256, 231-539-8000 FAX: 231-539-0914	
		REF: *****	DATE: 27JUN05
TITLE: 1/4" 12 WAY CONTACT BLOCK BASE			SCALE:
MATERIAL:		PART NO.	
COLOR: *****		31225 N02	
DRG CLASS *****			