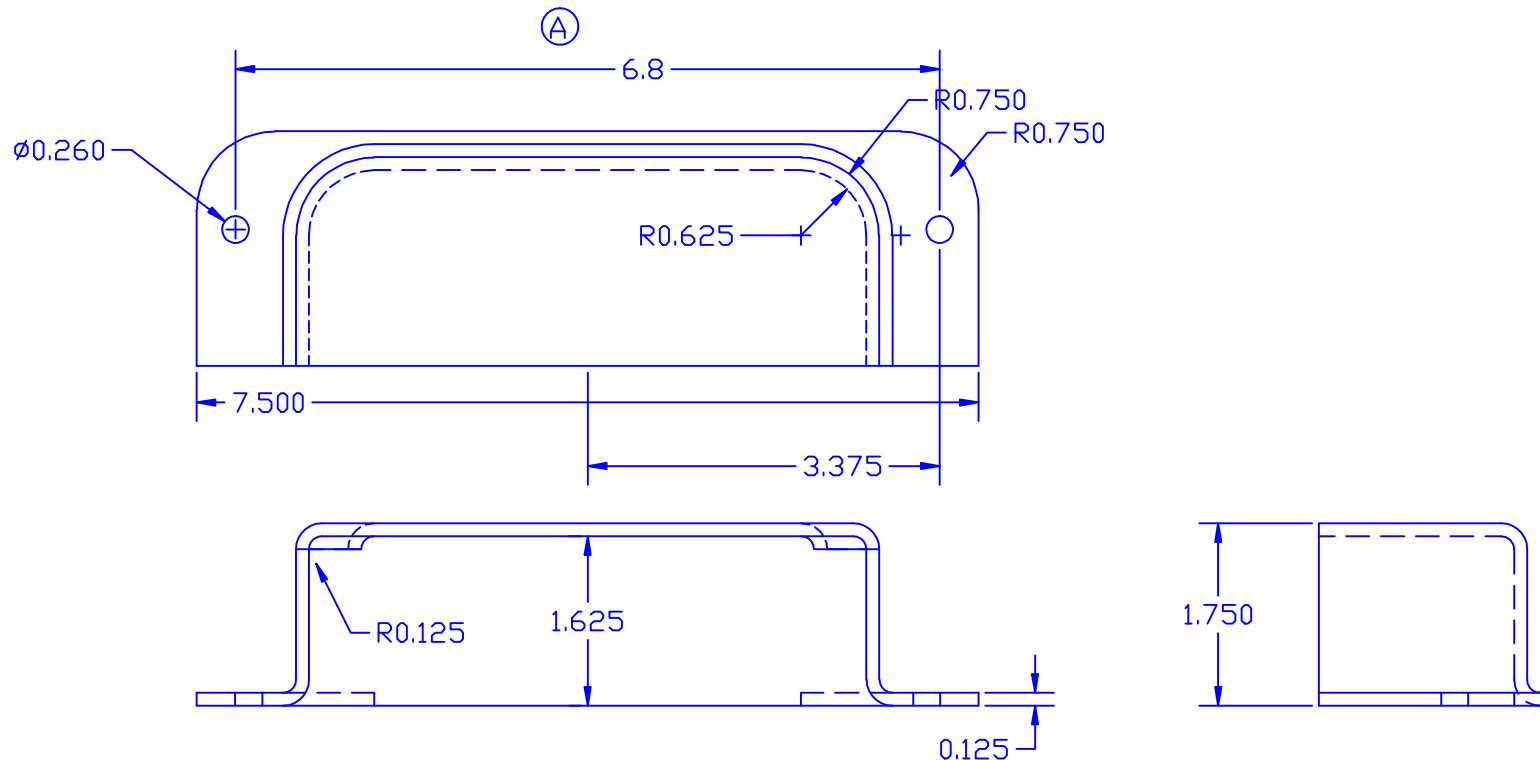


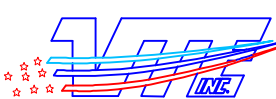
THE INFORMATION CONTAINED IN THIS DRAWING IS THE SOLE PROPERTY OF VTE INCORPORATED. ANY REPRODUCTION IN PART OR WHOLE WITHOUT THE WRITTEN PERMISSION OF VTE INCORPORATED IS PROHIBITED.

LTR.	REVISIONS	DATE
A	6.8 WAS 6.750	27NOV12



MATERIAL: CLEAR PVC
95 DUROMETER (SHORE A)

TOLERANCE UNLESS OTHERWISE SPECIFIED: $\pm 0.30^{\circ}/\pm 0.8\text{mm}$
RADIAL DIAMETERS TO BE MEASURED OVER MANDRELS,
RING GAGES OR PIN GAGES OF SUITABLE SIZE

		VTE Incorporated 5437 Robinson Road, P.O. Box 790 Pellston, Michigan 49769 Telephone: 1-800-527-9256, 231-539-8000 FAX: 231-539-0914	
		REF: ***	DATE: 01JUN06
TITLE: COVER-4 POINT DISTRIBUTION BLOCK			SCALE:
MATERIAL:		PART NO.	
COLOR: ****		314NOV00	
DRG CLASS: ****			