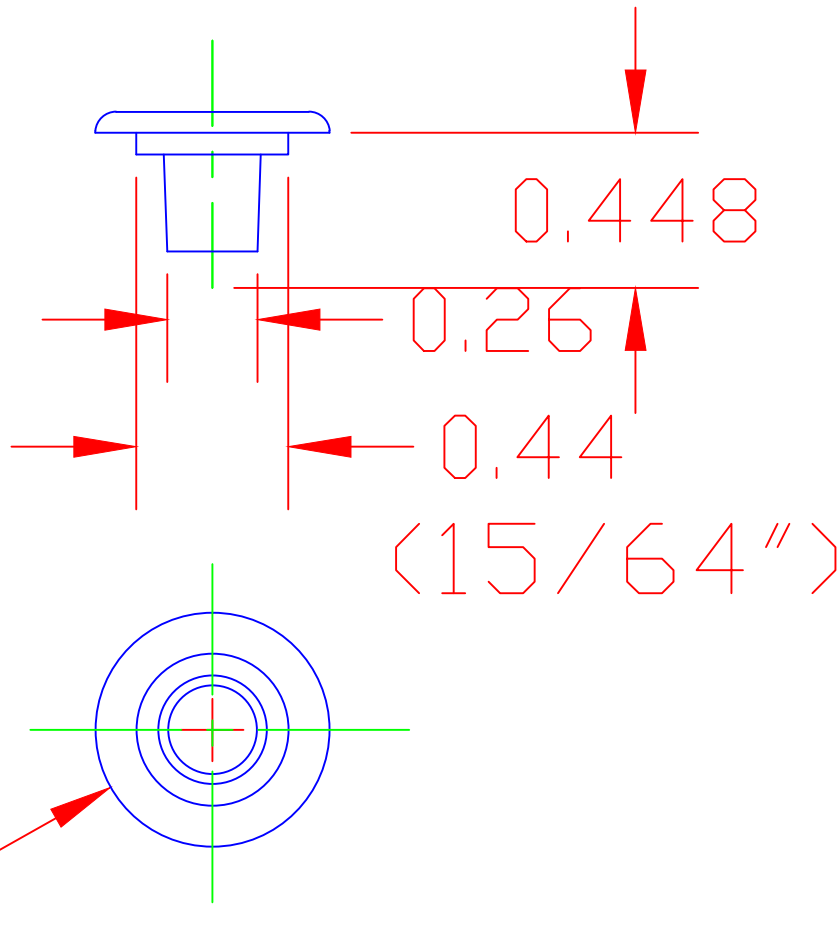
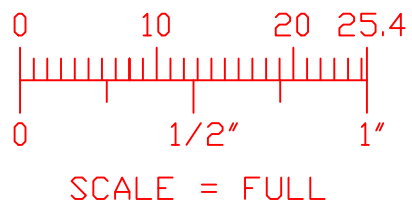


THE INFORMATION CONTAINED IN THIS DRAWING IS THE SOLE PROPERTY OF VTE INCORPORATED. ANY REPRODUCTION IN PART OR WHOLE WITHOUT THE WRITTEN PERMISSION OF VTE INCORPORATED IS PROHIBITED.

LTR.	REVISIONS	DATE
✂	*****	00-00-98



TOLERANCE UNLESS OTHERWISE SPECIFIED: ±.030"/±0.8mm  
RADIAL DIAMETERS TO BE MEASURED OVER MANDRELS,  
RING GAGES OR PIN GAGES OF SUITABLE SIZE

VTE Material Part No:  
Material:  
Material Part No  
Max. Operating Temp:  
Shore Durometer  
Specific Gravity:  
Ult. Elongation %:  
Tensile Strength PSI:  
U.L. Rating:

1101700102  
RED PVC  
M1170 FR RD or Equivalent  
105 C  
"A" 15 SEC. 70+/-5  
1.34  
275 Minimum  
1600 PSI Minimum  
94 V0



VTE Incorporated  
5437 Robinson Road, P.O. Box 790  
Pellston, Michigan 49769  
Telephone: 1-800-527-9256, 231-539-8000  
FAX: 231-539-0914

REF: ***	DATE: 20MAR03	DRN BY: BRH	WEIGHT: ***
TITLE: WELDING PLUG			SCALE: NOTED
MATERIAL: NOTED		PART NO. 315N5F02	
COLOR: ****	DRG CLASS: ****		