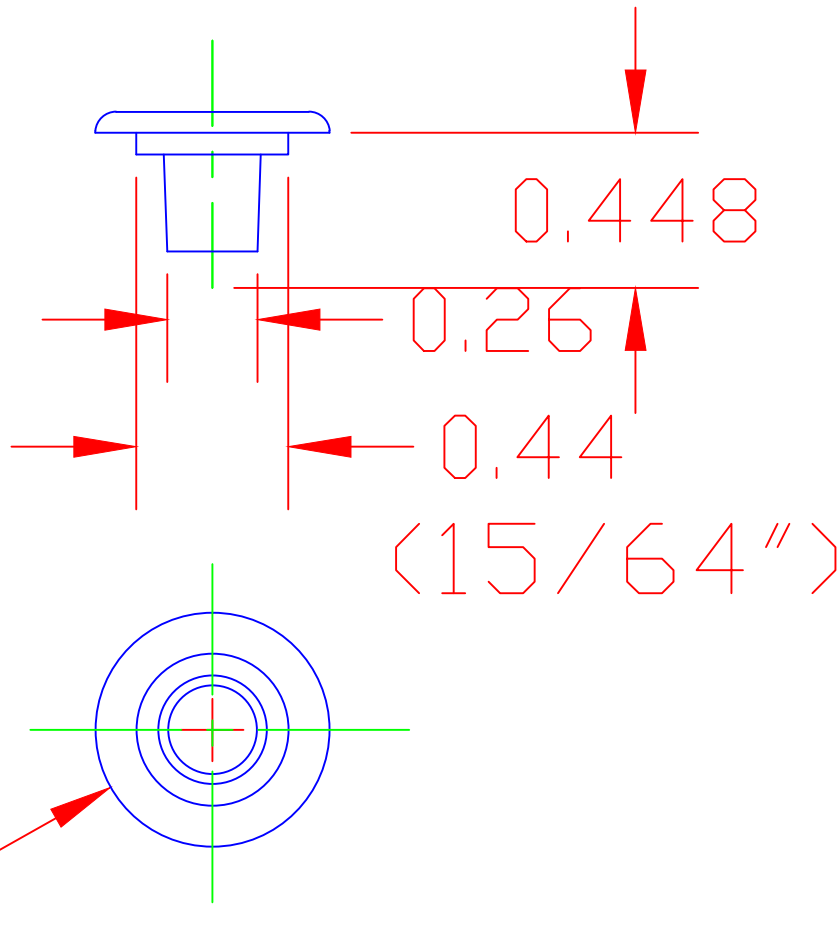
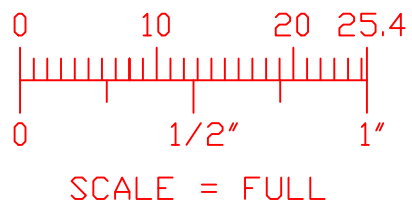


THE INFORMATION CONTAINED IN THIS DRAWING IS THE SOLE PROPERTY OF VTE INCORPORATED. ANY REPRODUCTION IN PART OR WHOLE WITHOUT THE WRITTEN PERMISSION OF VTE INCORPORATED IS PROHIBITED.

LTR.	REVISIONS	DATE
✂	*****	00-00-98



TOLERANCE UNLESS OTHERWISE SPECIFIED: ±.030"/±0.8mm
RADIAL DIAMETERS TO BE MEASURED OVER MANDRELS,
RING GAGES OR PIN GAGES OF SUITABLE SIZE

VTE Material Part No:
Material:
Material Part No
Max. Operating Temp:
Shore Durometer
Specific Gravity:
Ult. Elongation %:
Tensile Strength PSI:
U.L. Rating:

1101700114
BLACK PVC
M1170-FR or Equivalent
105 C
"A" 15 SEC. 70+/-5
1.34
275 Minimum
1600 PSI Minimum
94 V0



VTE Incorporated
5437 Robinson Road, P.O. Box 790
Pellston, Michigan 49769
Telephone: 1-800-527-9256, 231-539-8000
FAX: 231-539-0914

REF: *****	DATE: 20MAR03	DRN BY: BRH	WEIGHT: *****
TITLE: WELDING PLUG			SCALE: NOTED
MATERIAL: NOTED		PART NO. 315N5F14	
COLOR: *****	DRG CLASS *****		