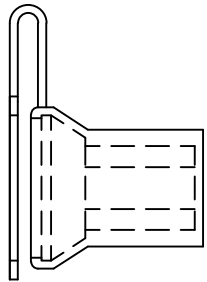
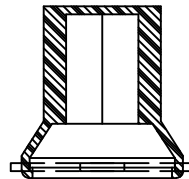
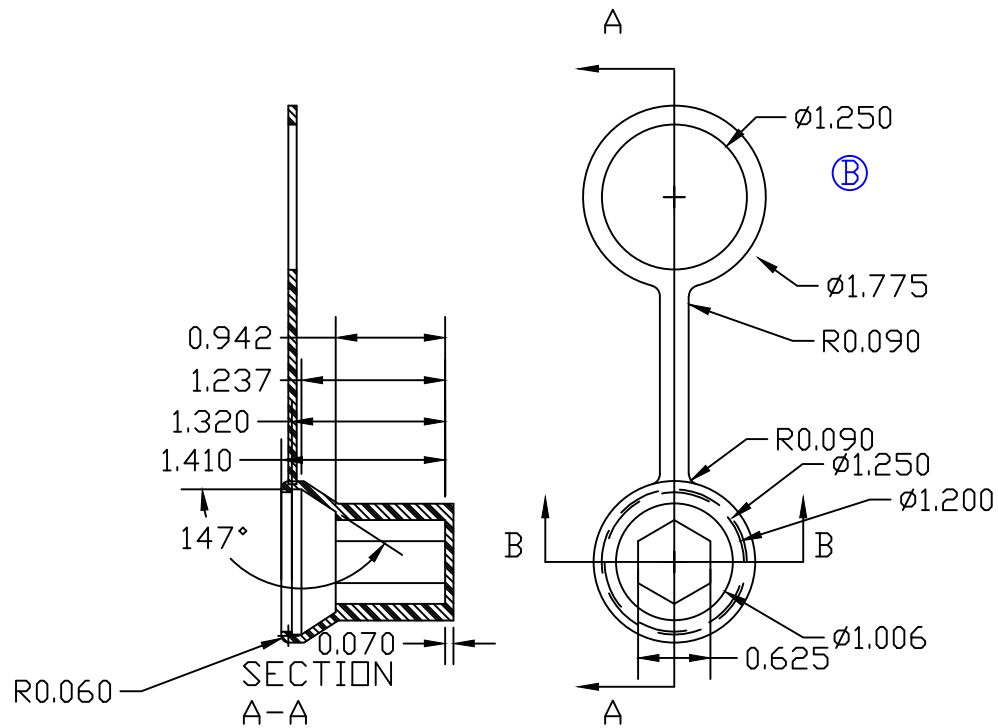


THE INFORMATION CONTAINED IN THIS DRAWING IS THE SOLE PROPERTY OF VTE INCORPORATED. ANY REPRODUCTION IN PART OR WHOLE WITHOUT THE WRITTEN PERMISSION OF VTE INCORPORATED IS PROHIBITED.

LTR.	REVISIONS	DATE
A	DIA. 1.115 WAS 1.250, DIA. 1.575 WAS 1.775	19NOV08
B	DIA. 1.250 WAS 1.115	26JAN10



INSTALLED
POSITION



TOLERANCE UNLESS OTHERWISE SPECIFIED: $\pm 0.30^{\circ}/\pm 0.8\text{mm}$
 RADIAL DIAMETERS TO BE MEASURED OVER MANDRELS,
 RING GAGES OR PIN GAGES OF SUITABLE SIZE

VTE Material Part No: 1101650102
 Material: RED PVC
 Material Part No: 9812-65-RED683
 Max. Operating Temp: 105 C
 Shore Durometer: "A" 10 SEC. 67/62
 Specific Gravity: 1.34
 Ult. Elongation %: 475
 Brittle Temp: -44 C
 Tensile Strength PSI: 1547 PSI

U.L. Rating: 94 V2
 MEETS: FMVSS.302

VTE Incorporated
 5437 Robinson Road, P.O. Box 790
 Pellston, Michigan 49769
 Telephone: 1-800-527-9256, 231-539-8000
 FAX: 231-539-0914

REF: ***	DATE: 27JUN07	DRN BY: BRH	WEIGHT: ***
TITLE: BULKHEAD JUMPSTART INSULATOR			SCALE:
MATERIAL:		PART NO.	
COLOR: ***	DRG CLASS: ***	319N8V02	