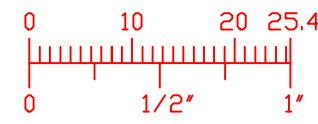
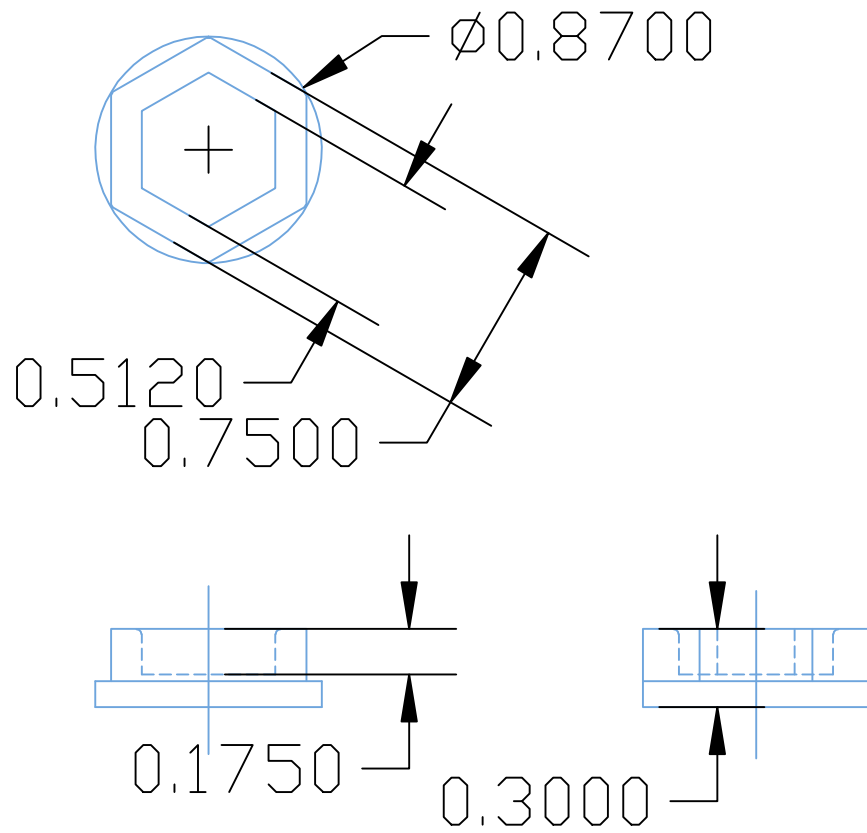


THE INFORMATION CONTAINED IN THIS DRAWING IS THE SOLE PROPERTY OF VTE INCORPORATED. ANY REPRODUCTION IN PART OR WHOLE WITHOUT THE WRITTEN PERMISSION OF VTE INCORPORATED IS PROHIBITED.

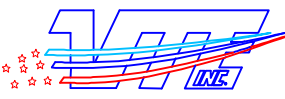
LTR.	REVISIONS	DATE
✖	*****	00-00-98



SCALE = FULL

TOLERANCE UNLESS OTHERWISE SPECIFIED: ±0.030"/±0.8mm
 RADIAL DIAMETERS TO BE MEASURED OVER MANDRELS,
 RING GAGES OR PIN GAGES OF SUITABLE SIZE

Material: 9812-95 RED 683
 Material Part No: 1101950102 OR EQUIVALENT
 Shore Durometer: "A" 10 SEC. 98/92
 Specific Gravity: 1.42
 Ult. Elongation %: 217
 Tensile Strength PSI: 2123
 U.L. Rating: 94 V2



VTE Incorporated
 5437 Robinson Road, P.O. Box 790
 Pellston, Michigan 49769
 Telephone: 1-800-527-9256, 231-539-8000
 FAX: 231-539-0914

REF: *****	DATE: 26OCT05	DRN BY: BRH	WEIGHT: *****
TITLE: HEX CAVITY PLUG			SCALE:
MATERIAL:		PART NO.	
COLOR: *****		331N0 V02	
DRG CLASS *****			