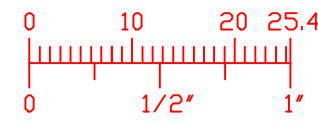
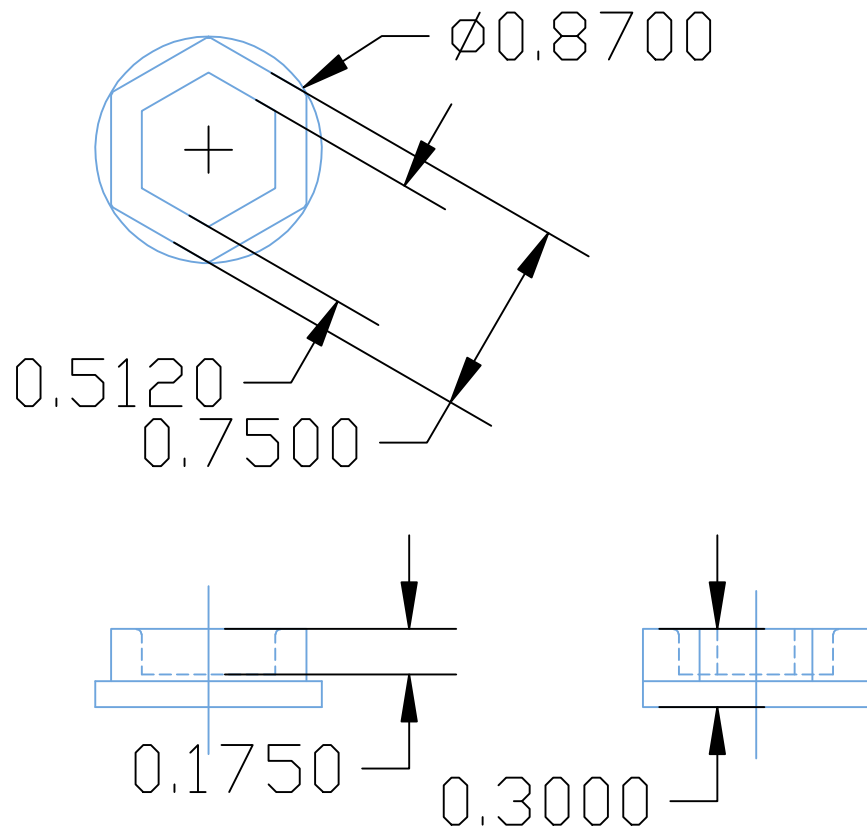


THE INFORMATION CONTAINED IN THIS DRAWING IS THE SOLE PROPERTY OF VTE INCORPORATED. ANY REPRODUCTION IN PART OR WHOLE WITHOUT THE WRITTEN PERMISSION OF VTE INCORPORATED IS PROHIBITED.

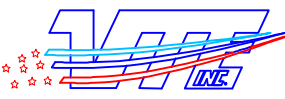
LTR.	REVISIONS	DATE
✖	*****	00-00-98



SCALE = FULL

TOLERANCE UNLESS OTHERWISE SPECIFIED: ±0.30"/±0.8mm
 RADIAL DIAMETERS TO BE MEASURED OVER MANDRELS,
 RING GAGES OR PIN GAGES OF SUITABLE SIZE

Material: 9812-95 BLACK PVC
 Material Part No: 1101950114 OR EQUIVALENT
 Shore Durometer: "A" 10 SEC. 98/92
 Specific Gravity: 1.42
 Ult. Elongation %: 175
 Tensile Strength PSI: 2165
 U.L. Rating: 94 V2

		VTE Incorporated 5437 Robinson Road, P.O. Box 790 Pellston, Michigan 49769 Telephone: 1-800-527-9256, 231-539-8000 FAX: 231-539-0914	
REF: *****	DATE: 26OCT05	DRN BY: BRH	WEIGHT: *****
TITLE: HEX CAVITY PLUG			SCALE:
MATERIAL:		PART NO.	
COLOR: *****		331N0 V14	
DRG CLASS *****			