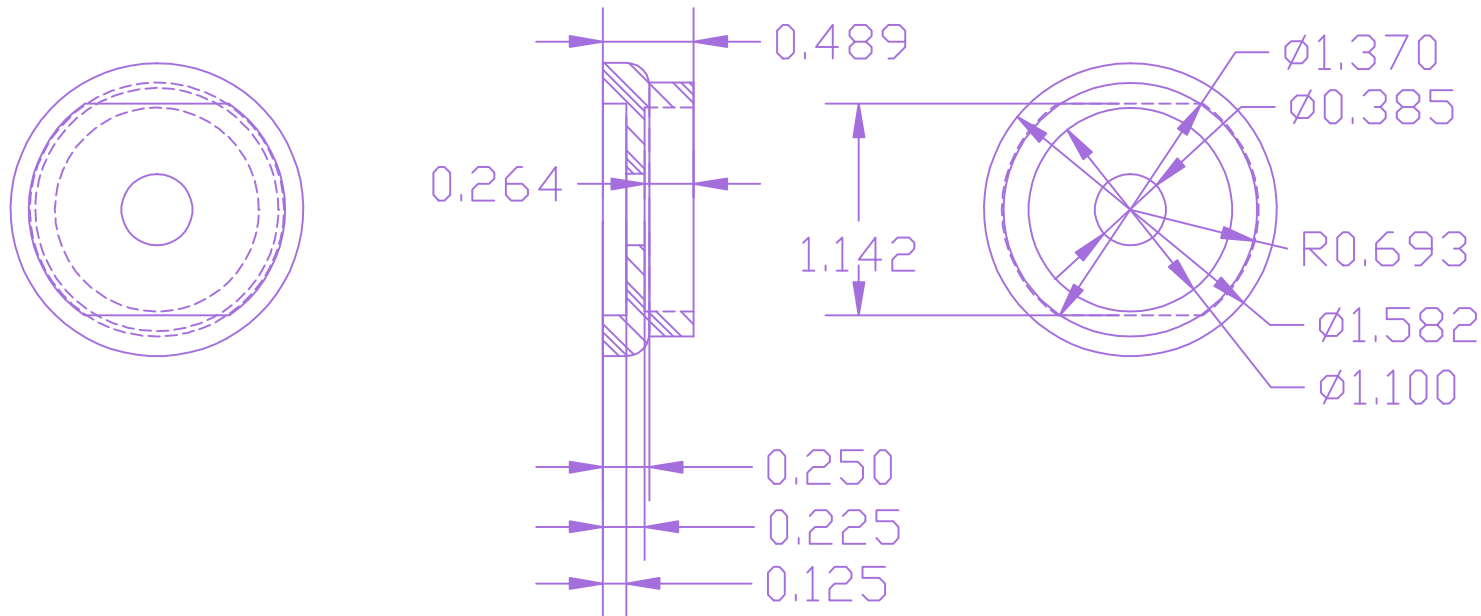


THE INFORMATION CONTAINED IN THIS DRAWING IS THE SOLE PROPERTY OF VTE INCORPORATED. ANY REPRODUCTION IN PART OR WHOLE WITHOUT THE WRITTEN PERMISSION OF VTE INCORPORATED IS PROHIBITED.

LTR.	REVISIONS	DATE
≠	*****	00-00-98

P/N 3437X
 3/8" OUTER PANEL BUSHING
 FOR POWER STUD
 USE GREENLEE PUNCH #60098




TOLERANCE UNLESS OTHERWISE SPECIFIED: ±.030"/±0.8mm
 RADIAL DIAMETERS TO BE MEASURED OVER MANDRELS,
 RING GAGES OR PIN GAGES OF SUITABLE SIZE

DO NOT SCALE

BASE MATERIAL:
 BASE MATERIAL U.L. RATING:

25% GLASS-REINFORCED NYLON
 94 V-0

		VTE Incorporated 5437 Robinson Road, P.O. Box 790 Pellston, Michigan 49769 Telephone: 1-800-527-9256, 231-539-8000 FAX: 231-539-0914	
		REF: *****	DATE: 03AUG06
TITLE: 3-8" OUTER PANEL BUSHING			SCALE:
MATERIAL: SPECIAL V-0 RATED NYLON FOR DIVERSIFIED POWER INTL. LLC		PART NO. 3437X N14	
COLOR: *****	DRG CLASS *****		