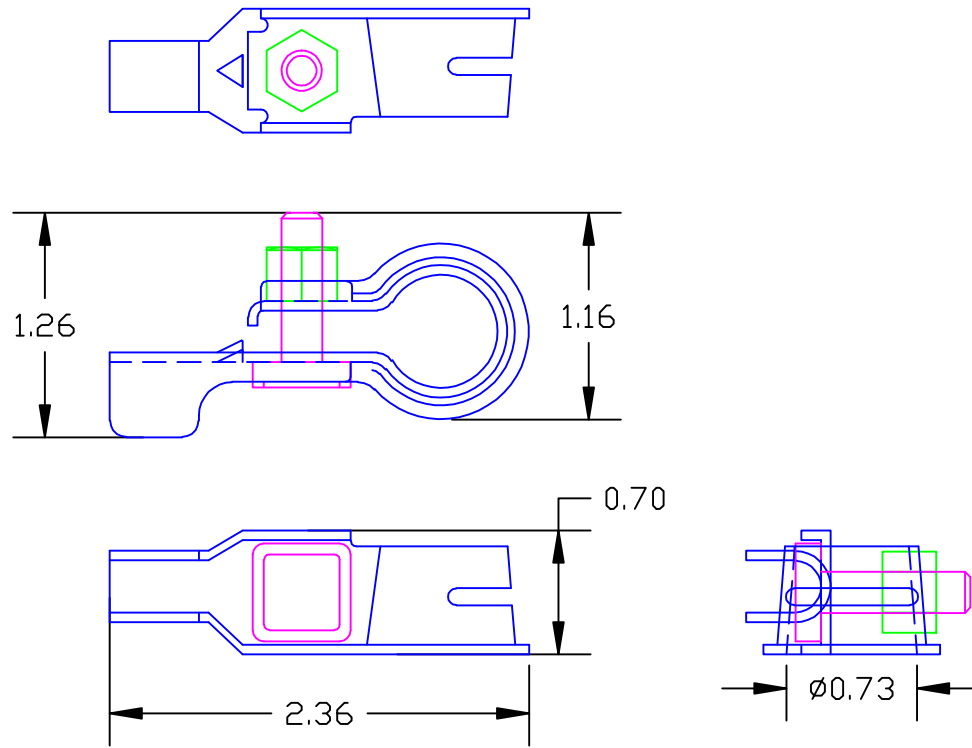



THE INFORMATION CONTAINED IN THIS DRAWING IS THE SOLE PROPERTY OF VTE INCORPORATED. ANY REPRODUCTION IN PART OR WHOLE WITHOUT THE WRITTEN PERMISSION OF VTE INCORPORATED IS PROHIBITED.

LTR.	REVISIONS	DATE
✳	*****	00-00-98



NEGATIVE TERMINAL ACCEPTS 8 AND 6 GA. CABLE

TOLERANCE UNLESS OTHERWISE SPECIFIED: ±.030*/±0.8mm
 RADIAL DIAMETERS TO BE MEASURED OVER MANDRELS,
 RING GAGES OR PIN GAGES OF SUITABLE SIZE

		VTE Incorporated 5437 Robinson Road, P.O. Box 790 Pellston, Michigan 49769 Telephone: 1-800-527-9256, 231-539-8000 FAX: 231-539-0914	
		REF: *****	DATE: 18JUN03
TITLE: LEAD FREE BATTERY TERMINAL		CHK'D BY: BRH	SCALE:
MATERIAL: ZINC PLATED COPPER ALLOY		PART NO. 3527	
COLOR: *****	DRG CLASS *****		