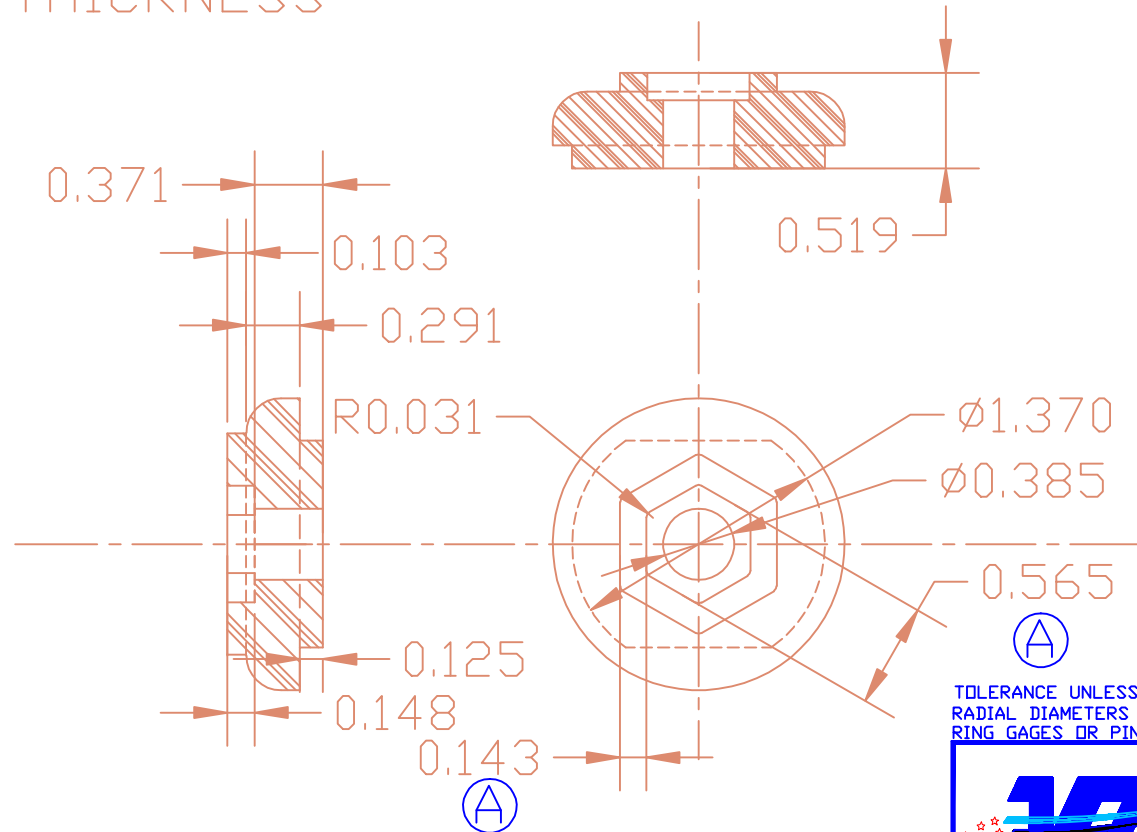


THE INFORMATION CONTAINED IN THIS DRAWING IS THE SOLE PROPERTY OF VTE INCORPORATED. ANY REPRODUCTION IN PART OR WHOLE WITHOUT THE WRITTEN PERMISSION OF VTE INCORPORATED IS PROHIBITED.

LTR.	REVISIONS	DATE
△	.565" WAS .555", .143" WAS .148"	16APR03

P/N 3530X
 INNER PANEL BUSHING
 3/8" FOR UP TO 1/8" PANEL
 THICKNESS



TOLERANCE UNLESS OTHERWISE SPECIFIED: ±.030"/±0.8mm
 RADIAL DIAMETERS TO BE MEASURED OVER MANDRELS,
 RING GAGES OR PIN GAGES OF SUITABLE SIZE

BASE MATERIAL: 25% GLASS-REINFORCED NYLON
 BASE MATERIAL U.L. RATING: 94 V-0

DO NOT SCALE



VTE Incorporated
 5437 Robinson Road, P.O. Box 790
 Pellston, Michigan 49769
 Telephone: 1-800-527-9256, 231-539-8000
 FAX: 231-539-0914

REF: ***	DATE: 03AUG06	DRN BY: BRH	WEIGHT: ***
		CHK'D BY: BRH	
TITLE: INNER PANEL BUSHING FOR 3/8" POWER STUD UP TO 1/8" PANEL			SCALE:
MATERIAL: SPECIAL V-0 RATED NYLON FOR DIVERSIFIED POWER INTL. LLC		PART NO. 3530X N14	
COLOR: ***	DRG CLASS: ****		