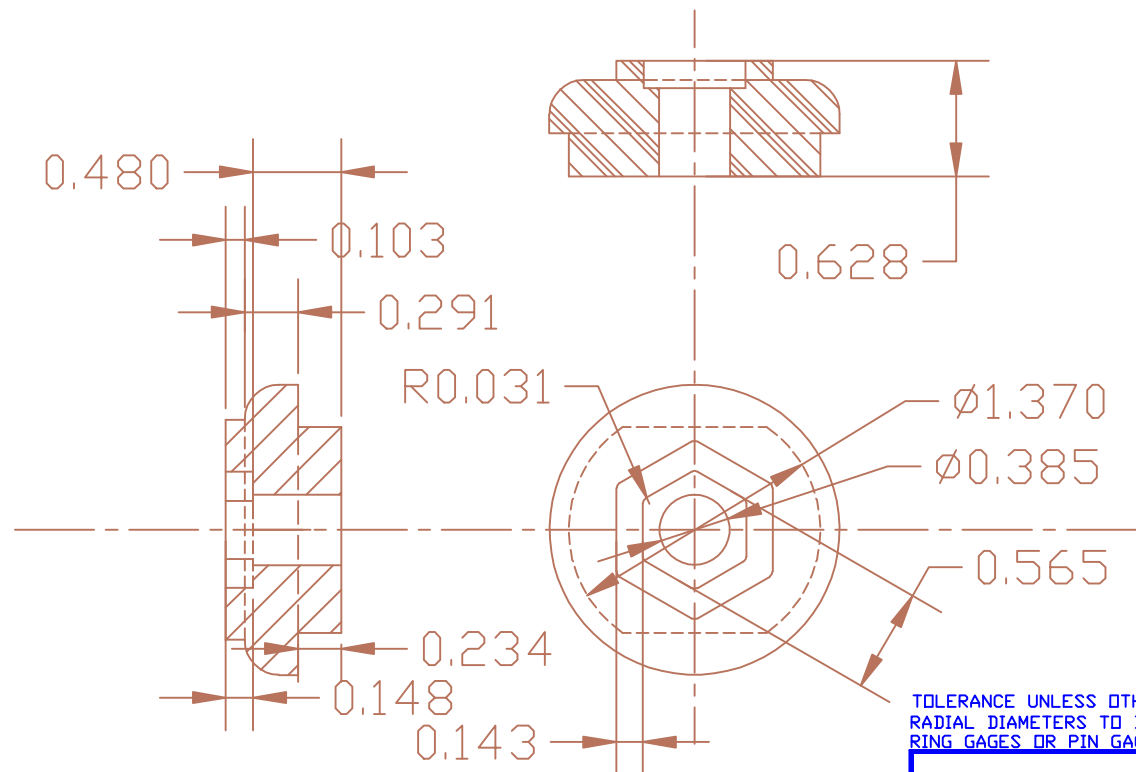


THE INFORMATION CONTAINED IN THIS DRAWING IS THE SOLE PROPERTY OF VTE INCORPORATED. ANY REPRODUCTION IN PART OR WHOLE WITHOUT THE WRITTEN PERMISSION OF VTE INCORPORATED IS PROHIBITED.

LTR.	REVISIONS	DATE
✱	✱✱✱✱✱✱✱✱✱✱	*****


P/N 3532234  
 INNER PANEL BUSHING  
 3/8" FOR .234" PANEL THICKNESS



TOLERANCE UNLESS OTHERWISE SPECIFIED:  $\pm 0.030$ "/ $\pm 0.8$ mm  
 RADIAL DIAMETERS TO BE MEASURED OVER MANDRELS,  
 RING GAGES OR PIN GAGES OF SUITABLE SIZE

DO NOT SCALE

USE GREENLEE PUNCH  
 #60098 FOR PANEL CUTOUT

 **VTE Incorporated**  
 5437 Robinson Road, P.O. Box 790  
 Pellston, Michigan 49769  
 Telephone: 1-800-527-9256, 231-539-8000  
 FAX: 231-539-0914

REF: *****	DATE: 16MAY03	DRN BY: BRH	WEIGHT: *****
TITLE: 3/8" x .234" INNER PANEL BUSHING PANELTRONICS SPECIFIC			SCALE:
MATERIAL:		PART NO. 3532234	
COLOR: *****	DRG CLASS *****		