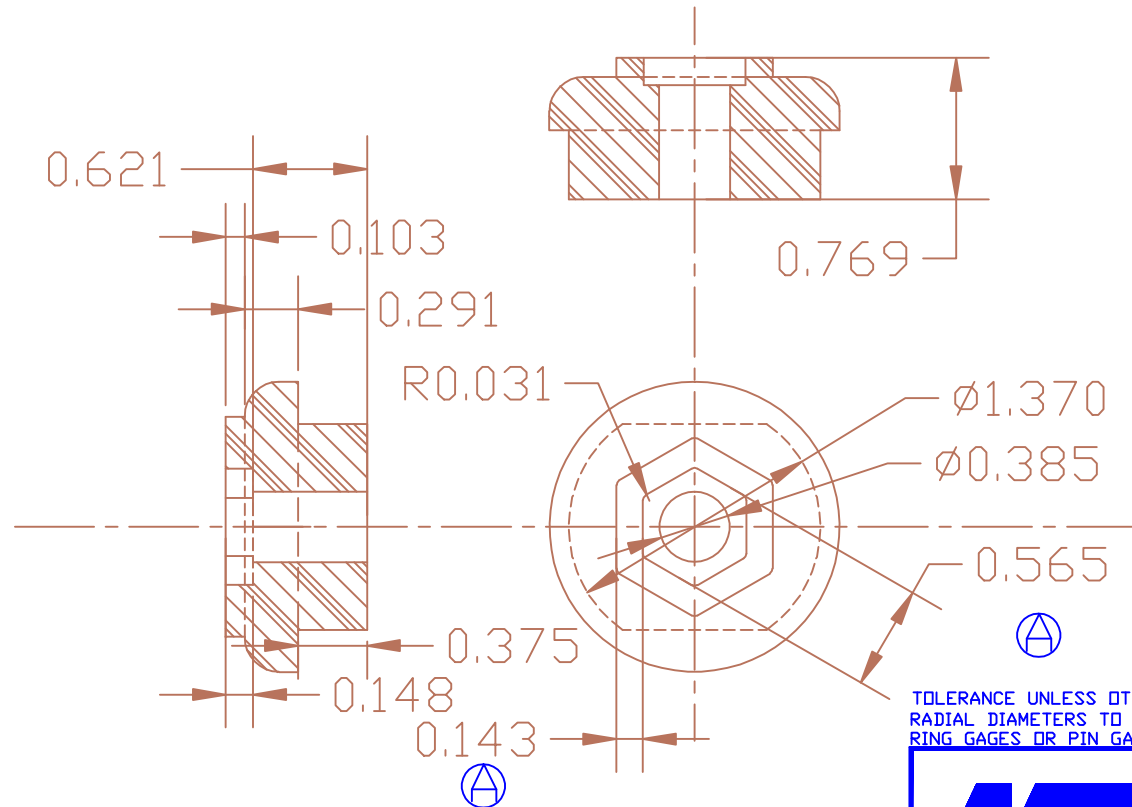


THE INFORMATION CONTAINED IN THIS DRAWING IS THE SOLE PROPERTY OF VTE INCORPORATED. ANY REPRODUCTION IN PART OR WHOLE WITHOUT THE WRITTEN PERMISSION OF VTE INCORPORATED IS PROHIBITED.

LTR.	REVISIONS	DATE
△	.565" WAS .555", .143" WAS .148"	16APR03


P/N 3532
 INNER PANEL BUSHING
 3/8" FOR 1/4" PANEL THICKNESS



TOLERANCE UNLESS OTHERWISE SPECIFIED: $\pm 0.030"/\pm 0.8\text{mm}$
 RADIAL DIAMETERS TO BE MEASURED OVER MANDRELS,
 RING GAGES OR PIN GAGES OF SUITABLE SIZE

DO NOT SCALE

USE GREENLEE PUNCH
 #60098 FOR PANEL CUTOUT

		VTE Incorporated 5437 Robinson Road, P.O. Box 790 Pellston, Michigan 49769 Telephone: 1-800-527-9256, 231-539-8000 FAX: 231-539-0914		
		REF: ****	DATE: 08JAN03	DRN BY: BRH
TITLE: 3/8"X1/4" INNER PANEL BUSHING				SCALE:
MATERIAL:			PART NO.	
COLOR: ****	DRG CLASS: ****	3532		