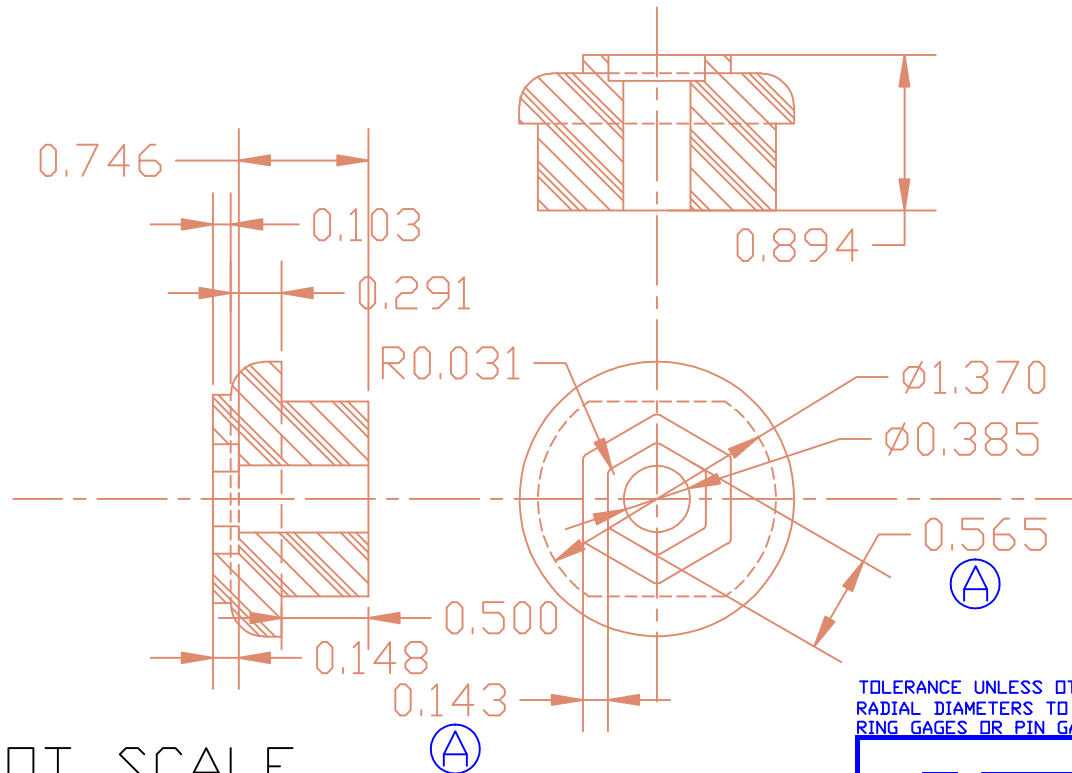


THE INFORMATION CONTAINED IN THIS DRAWING IS THE SOLE PROPERTY OF VTE INCORPORATED. ANY REPRODUCTION IN PART OR WHOLE WITHOUT THE WRITTEN PERMISSION OF VTE INCORPORATED IS PROHIBITED.

LTR.	REVISIONS	DATE
△	.565" WAS .555", .143" WAS .148"	16APR03

P/N 3533
 3/8" INNER PANEL BUSHING
 FOR 3/8" PANEL THICKNESS



TOLERANCE UNLESS OTHERWISE SPECIFIED: ±.030"/±0.8mm
 RADIAL DIAMETERS TO BE MEASURED OVER MANDRELS,
 RING GAGES OR PIN GAGES OF SUITABLE SIZE

DO NOT SCALE

USE GREENLEE PUNCH
 #60098 FOR PANEL CUTOUT



VTE Incorporated
 5437 Robinson Road, P.O. Box 790
 Pellston, Michigan 49769
 Telephone: 1-800-527-9256, 231-539-8000
 FAX: 231-539-0914

REF: *****	DATE: 08JAN03	DRN BY: BRH	WEIGHT: *****
		CHK'D BY: BRH	
TITLE: 3/8"X3/8" INNER PANEL BUSHING			SCALE:
MATERIAL:		PART NO.	
COLOR: *****		3533	
DRG CLASS *****			