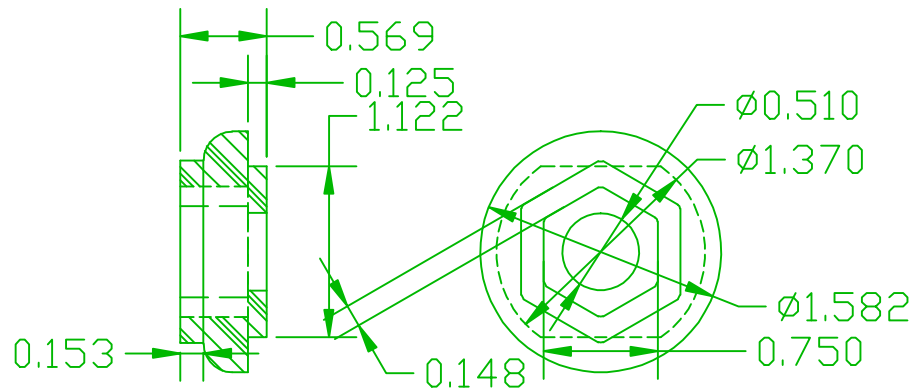
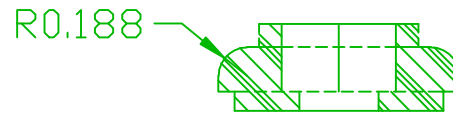


THE INFORMATION CONTAINED IN THIS DRAWING IS THE SOLE PROPERTY OF VTE INCORPORATED. ANY REPRODUCTION IN PART OR WHOLE WITHOUT THE WRITTEN PERMISSION OF VTE INCORPORATED IS PROHIBITED.

LTR.	REVISIONS	DATE
≠	*****	***


P/N 3550X
 INNER PANEL BUSHING
 1/2" WITH UP TO 1/8" PANEL
 THICKNESS



TOLERANCE UNLESS OTHERWISE SPECIFIED: ±.030"/±0.8mm
 RADIAL DIAMETERS TO BE MEASURED OVER MANDRELS,
 RING GAGES OR PIN GAGES OF SUITABLE SIZE

BASE MATERIAL: 25% GLASS-REINFORCED NYLON
 BASE MATERIAL U.L. RATING: 94 V-0

DO NOT SCALE

		VTE Incorporated 5437 Robinson Road, P.O. Box 790 Pellston, Michigan 49769 Telephone: 1-800-527-9256, 231-539-8000 FAX: 231-539-0914	
		REF: ***	DATE: 17JUL06
TITLE: INNER PANEL BUSHING 1/2" POWER STUD UP TO 1/8" PANEL THICKNESS			SCALE:
MATERIAL: SPECIAL V-0 RATED NYLON FOR DIVERSIFIED POWER INTL LLC		PART NO. 3550X N14	
COLOR: ****	DRG CLASS: ****		