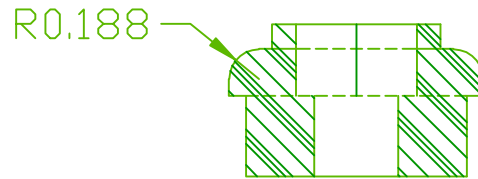


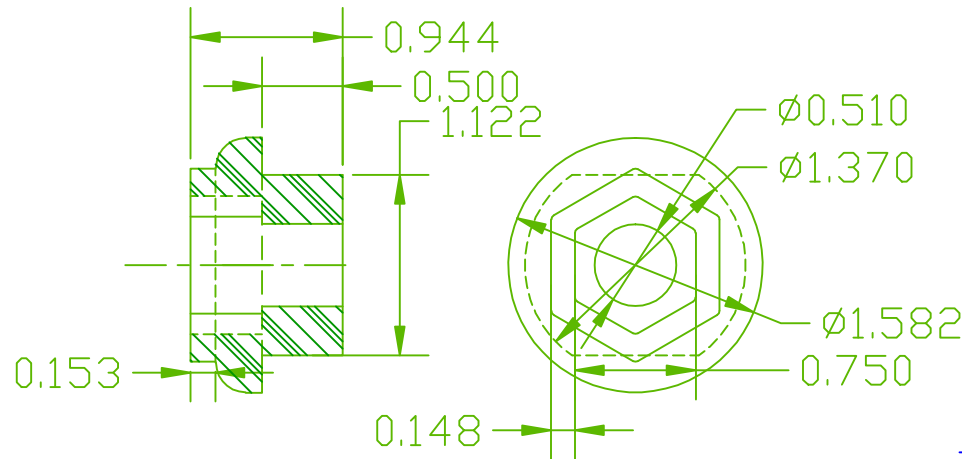
THE INFORMATION CONTAINED IN THIS DRAWING IS THE SOLE PROPERTY OF VTE INCORPORATED. ANY REPRODUCTION IN PART OR WHOLE WITHOUT THE WRITTEN PERMISSION OF VTE INCORPORATED IS PROHIBITED.

LTR.	REVISIONS	DATE
∧	DEPTH OF HEX INCREASED	14FEB03

P/N 3553 INNER PANEL BUSHING
 1/2" WITH 3/8" PANEL
 THICKNESS



USE GREENLEE PUNCH
 #60098 FOR PANEL
 CUTOFF



TOLERANCE UNLESS OTHERWISE SPECIFIED: ±.030"/±0.8mm
 RADIAL DIAMETERS TO BE MEASURED OVER MANDRELS,
 RING GAGES OR PIN GAGES OF SUITABLE SIZE

DO NOT SCALE

BASE MATERIAL:
 BASE MATERIAL U.L. RATING:

GLASS-REINFORCED NYLON
 94 HB



VTE Incorporated
 5437 Robinson Road, P.O. Box 790
 Pellston, Michigan 49769
 Telephone: 1-800-527-9256, 231-539-8000
 FAX: 231-539-0914

REF:	DATE:	DRN BY:	BRH	WEIGHT:
***	08JAN03	CHK'D BY:	BRH	***
TITLE: 1/2"X3/8" INNER PANEL BUSHING				SCALE:
MATERIAL:		PART NO.		
COLOR:	***	DRG CLASS:	***	3553 N02