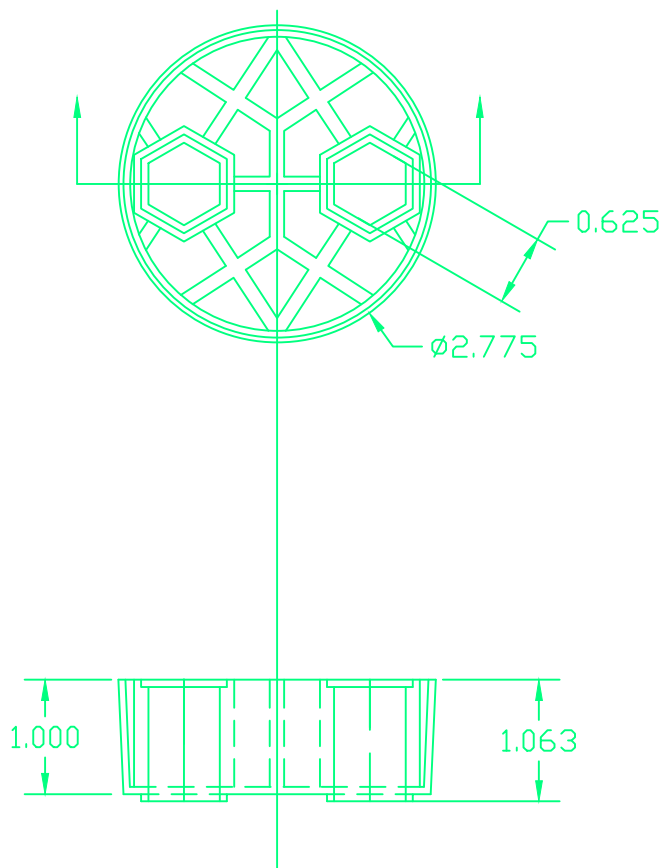


THE INFORMATION CONTAINED IN THIS DRAWING IS THE SOLE PROPERTY OF VTE INCORPORATED. ANY REPRODUCTION IN PART OR WHOLE WITHOUT THE WRITTEN PERMISSION OF VTE INCORPORATED IS PROHIBITED.

LTR.	REVISIONS	DATE
≡	*****	00-00-98



Material: BLACK PVC  
 Material Part No: 9812-65  
 Max. Operating Temp: 105 C  
 Shore Durometer: "A" 10 SEC. 67/63  
 Specific Gravity: 1.33  
 Ult. Elongation %: 520  
 Brittle Temp: -36 C  
 Tensile Strength PSI: 1563 PSI

U.L. Rating: 94 V2  
 MEETS: FMVSS.302

TOLERANCE UNLESS OTHERWISE SPECIFIED: ±0.030"/±0.8mm  
 RADIAL DIAMETERS TO BE MEASURED OVER MANDRELS,  
 RING GAGES OR PIN GAGES OF SUITABLE SIZE



VTE Incorporated  
 5437 Robinson Road, P.O. Box 790  
 Pellston, Michigan 49769  
 Telephone: 1-800-527-9256, 231-539-8000  
 FAX: 231-539-0914

REF: ***	DATE: 23DEC05	DRN BY: BRH	WEIGHT: ***
		CHK'D BY: BRH	
TITLE: DUAL POST BULKHEAD SPACER			SCALE:
MATERIAL:		PART NO.	
COLOR: ****		370N9 V14	
DRG CLASS: ****			