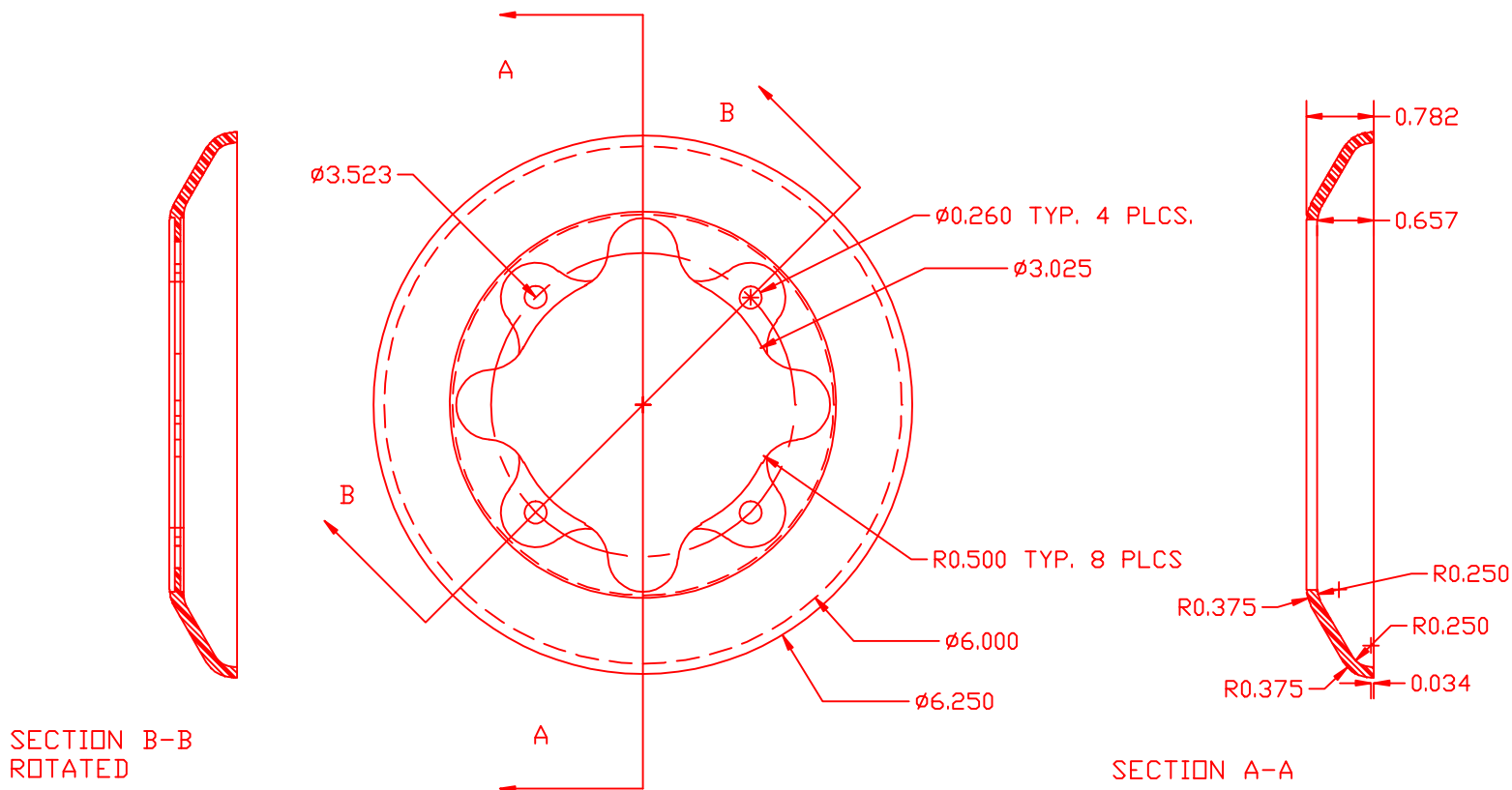


THE INFORMATION CONTAINED IN THIS DRAWING IS THE SOLE PROPERTY OF VTE INCORPORATED. ANY REPRODUCTION IN PART OR WHOLE WITHOUT THE WRITTEN PERMISSION OF VTE INCORPORATED IS PROHIBITED.

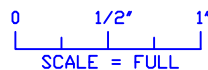
LTR.	REVISIONS	DATE
≠	*****	00-00-98

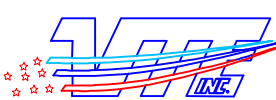


TOLERANCE UNLESS OTHERWISE SPECIFIED:
 MOLDED PRODUCTS ONLY: ±0.30"/±0.8mm
 HARDWARE ITEMS: ±0.010"/±0.25mm
 RADIAL DIAMETERS TO BE MEASURED OVER MANDRELS,
 RING GAGES OR PIN GAGES OF SUITABLE SIZE

Material:
 Material Part No:
 Max. Operating Temp:
 Durometer:
 Specific Gravity:
 Ult. Elongation %:
 Modulus PSI:
 Tensile Strength PSI:
 Dielectric Strength, v./ml:
 MEETS:
 Color:

Polypropylene
 Polypropylene Copolymer
 550 F
 110 R-Scale
 1.13
 2.5
 Not Tested
 9500
 Not Tested
 UL94HB
 Blue



		VTE Incorporated 5437 Robinson Road, P.O. Box 790 Pellston, Michigan 49769 Telephone: 1-800-527-9256, 231-539-8000 FAX: 231-539-0914	
		REF: *****	DATE: 08MAY06
TITLE: BATTERY TERMINAL INSULATOR			SCALE:
MATERIAL:		PART NO.	
COLOR: *****		372N9 P09	
DRG CLASS *****			