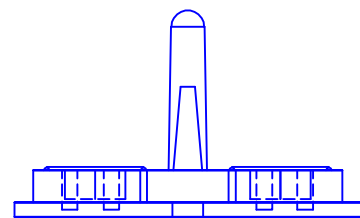
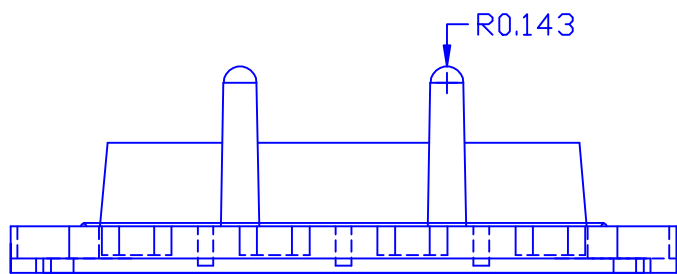
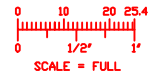
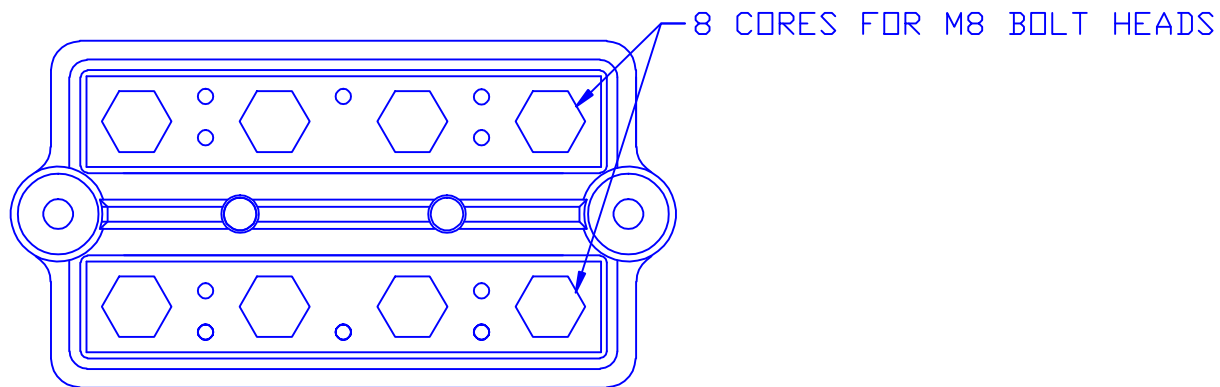


THE INFORMATION CONTAINED IN THIS DRAWING IS THE SOLE PROPERTY OF VTE INCORPORATED. ANY REPRODUCTION IN PART OR WHOLE WITHOUT THE WRITTEN PERMISSION OF VTE INCORPORATED IS PROHIBITED.

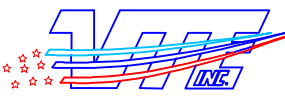
LTR.	REVISIONS	DATE
✳	✳ ✳ ✳ ✳ ✳ ✳ ✳ ✳	*****



TOLERANCE UNLESS OTHERWISE SPECIFIED:
 MOLDED PRODUCTS ONLY: $\pm 0.30^\circ / \pm 0.8\text{mm}$
 HARDWARE ITEMS: $\pm 0.010^\circ / \pm 0.25\text{mm}$
 RADIAL DIAMETERS TO BE MEASURED OVER MANDRELS,
 RING GAGES OR PIN GAGES OF SUITABLE SIZE

BASE MATERIAL:
 BASE MATERIAL U.L. RATING:
 VTE MATERIAL PART NUMBER:

GLASS-REINFORCED NYLON
 94 HB
 111210515
 PLUS COLORANT # 1214000002
 AS REQ'D.



VTE Incorporated
 5437 Robinson Road, P.O. Box 790
 Pellston, Michigan 49769
 Telephone: 1-800-527-9256, 231-539-8000
 FAX: 231-539-0914

REF: *****	DATE: 19DEC08	DRN BY: BRH CHK'D BY: BRH	WEIGHT: 49 G. / .108 LBS.
TITLE: M8 METRIC DUAL 4 POST BUS			SCALE:
MATERIAL:		PART NO.	
COLOR: *****		388M8N02	
DRG CLASS *****			