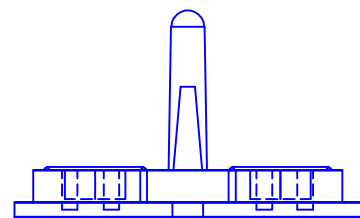
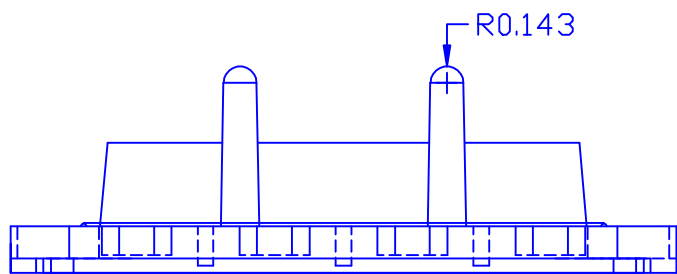
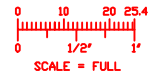
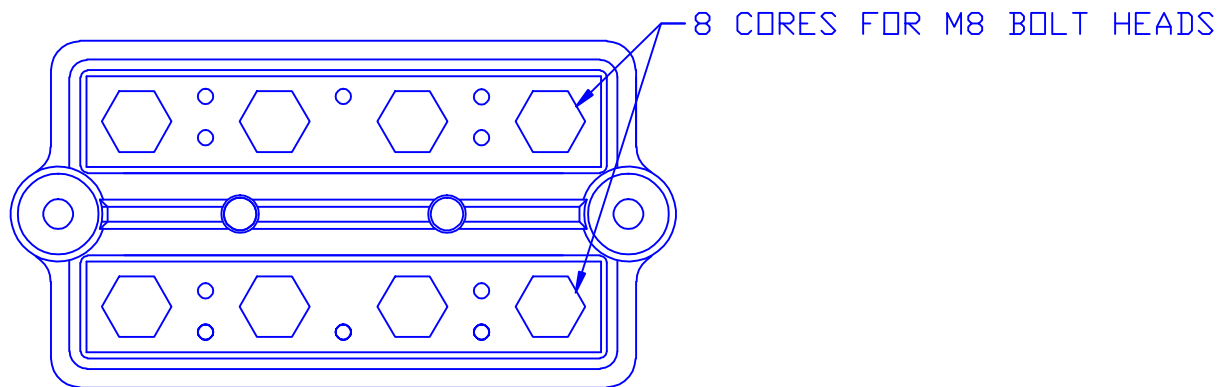


THE INFORMATION CONTAINED IN THIS DRAWING IS THE SOLE PROPERTY OF VTE INCORPORATED. ANY REPRODUCTION IN PART OR WHOLE WITHOUT THE WRITTEN PERMISSION OF VTE INCORPORATED IS PROHIBITED.

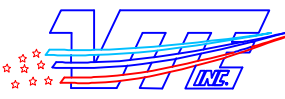
| LTR. | REVISIONS       | DATE  |
|------|-----------------|-------|
| ✳    | ✳ ✳ ✳ ✳ ✳ ✳ ✳ ✳ | ***** |



TOLERANCE UNLESS OTHERWISE SPECIFIED:  
 MOLDED PRODUCTS ONLY: ±.030"/±0.8mm  
 HARDWARE ITEMS: ±.010"/±0.25mm  
 RADIAL DIAMETERS TO BE MEASURED OVER MANDRELS,  
 RING GAGES OR PIN GAGES OF SUITABLE SIZE

BASE MATERIAL:  
 BASE MATERIAL U.L. RATING:  
 VTE MATERIAL PART NUMBER:

GLASS-REINFORCED NYLON  
 94 HB  
 1111210514



**VTE Incorporated**  
 5437 Robinson Road, P.O. Box 790  
 Pellston, Michigan 49769  
 Telephone: 1-800-527-9256, 231-539-8000  
 FAX: 231-539-0914

|                                  |                 |                    |                           |
|----------------------------------|-----------------|--------------------|---------------------------|
| REF: *****                       | DATE: 19DEC08   | DRN BY: BRH        | WEIGHT: 49 G. / .108 LBS. |
| TITLE: M8 METRIC DUAL 4 POST BUS |                 |                    | SCALE:                    |
| MATERIAL:                        |                 | PART NO. 388M8 N14 |                           |
| COLOR: *****                     | DRG CLASS ***** |                    |                           |