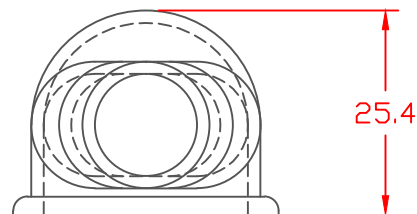
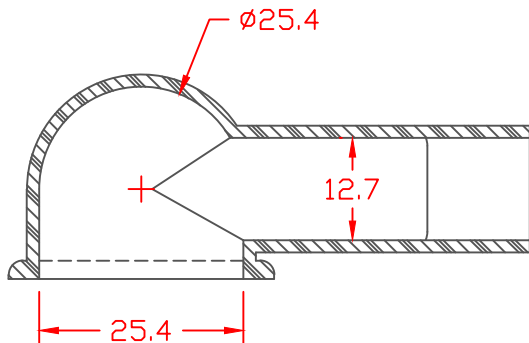
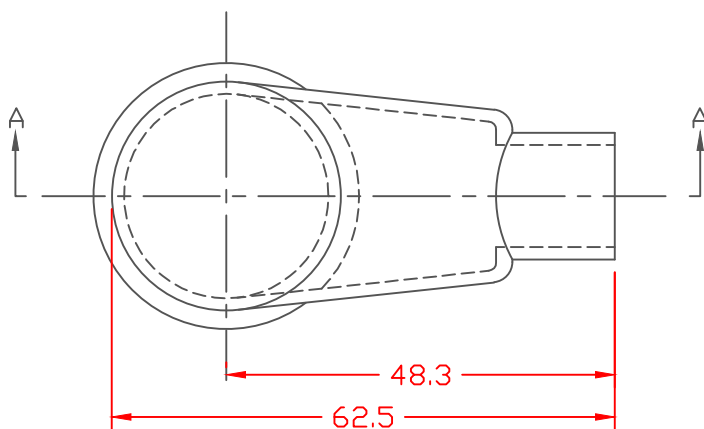


LTR.	REVISIONS	DATE
✂	*****	00-00-98

TYP. WALL THICKNESS = 1.5



SECTION A-A



TOLERANCE UNLESS OTHERWISE SPECIFIED: ±0.30"/±0.8mm
 RADIAL DIAMETERS TO BE MEASURED OVER MANDRELS,
 RING GAGES OR PIN GAGES OF SUITABLE SIZE

VTE Material Part No: 1101600114
 Material: BLACK PVC
 Material Part No: 9812-60B
 Max. Operating Temp: 105 C
 Shore Durometer "A" 10 SEC. 58/62
 Specific Gravity: 1.33
 Ult. Elongation %: 520
 Brittle Temp: -36 C
 Tensile Strength PSI: 1563 PSI

U.L. Rating: 94 V2
 MEETS: FMVSS.302



VTE Incorporated
 5437 Robinson Road, P.O. Box 790
 Pellston, Michigan 49769
 Telephone: 1-800-527-9256, 231-539-8000
 FAX: 231-539-0914

REF:	DATE: 23JUN08	DRN BY: JC CHK'D BY:	WEIGHT: 019 LBS. / 8.48 G.
TITLE: EYELET TERMINAL INSULATOR			
MATERIAL: 60 DUROMETER PVC		PART NO. 405X9 V14	
COLOR:	DRG CLASS		