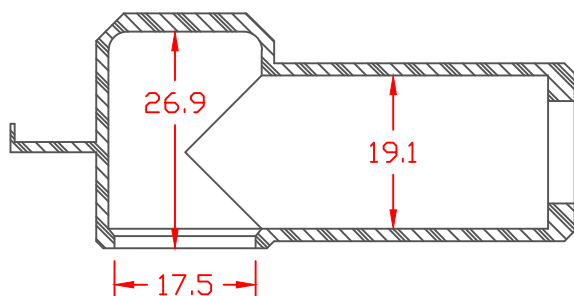


PROPRIETARY RIGHTS ARE CLAIMED FOR THE MATERIAL DISCLOSED IN THIS DRAWING.

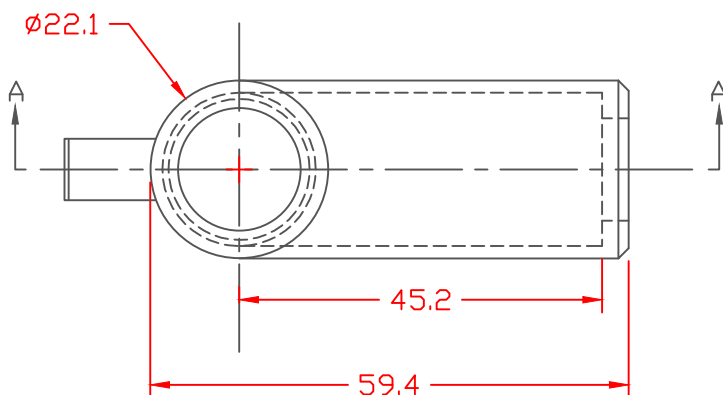
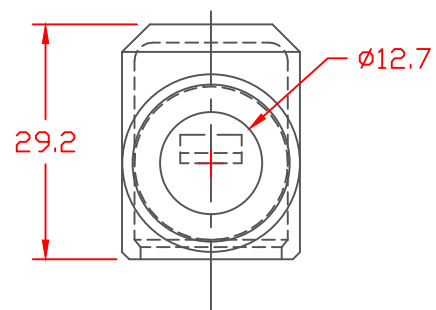
TYP. WALL THICKNESS = 1.5

TYP. BEVEL = 45°

| LTR. | REVISIONS | DATE |
|------|-----------|----------|
| ✂ | ***** | 00-00-98 |

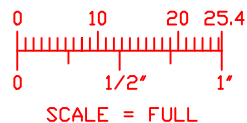


SECTION A-A



TOLERANCE UNLESS OTHERWISE SPECIFIED: ±.030"/±0.8mm
 RADIAL DIAMETERS TO BE MEASURED OVER MANDRELS,
 RING GAGES OR PIN GAGES OF SUITABLE SIZE

| | |
|-----------------------|------------------------|
| VTE Material Part No: | 1101700114 |
| Material: | BLACK PVC |
| Material Part No: | M1170-FR or Equivalent |
| Max. Operating Temp: | 105 C |
| Shore Durometer: | "A" 15 SEC. 70+/-5 |
| Specific Gravity: | 1.34 |
| Ult. Elongation %: | 275 Minimum |
| Tensile Strength PSI: | 1600 PSI Minimum |
| U.L. Rating: | 94 V0 |



VTE Incorporated

5437 Robinson Road, P.O. Box 790
 Pellston, Michigan 49769
 Telephone: 1-800-527-9256, 231-539-8000
 FAX: 231-539-0914

| | | | |
|--|------------------|----------------------|---------------------|
| REF: | DATE: 3-27-98 | DRN BY: JC | WEIGHT: 10 grams |
| TITLE: EYELET TERMINAL INSULATOR BOOT | | CHK'D BY: | |
| MATERIAL: | | PART NO. 408N6F14 | |
| COLOR: | DRG CLASS | | |