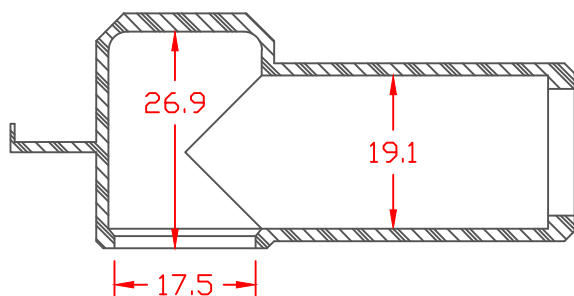


PROPRIETARY RIGHTS ARE CLAIMED FOR THE MATERIAL DISCLOSED IN THIS DRAWING.

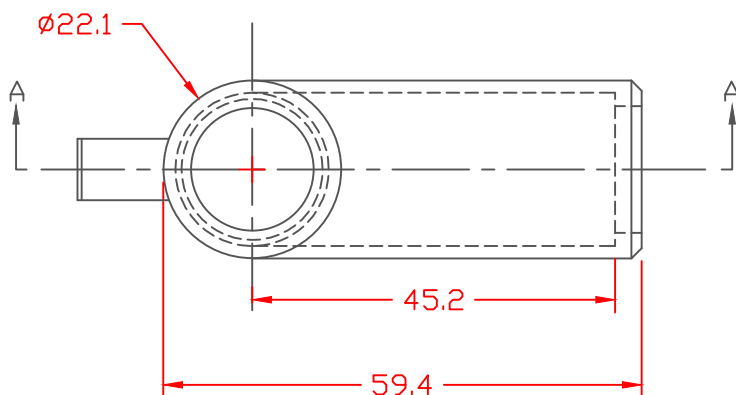
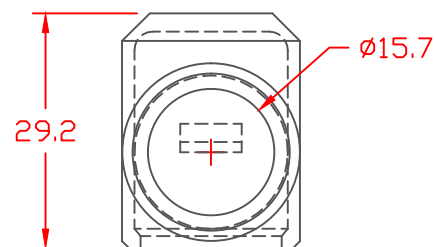
TYP. WALL THICKNESS = 1.5

TYP. BEVEL = 45°

| LTR. | REVISIONS | DATE     |
|------|-----------|----------|
| ✂    | *****     | 00-00-98 |



SECTION A-A



TOLERANCE UNLESS OTHERWISE SPECIFIED: ±.030"/±0.8mm  
 RADIAL DIAMETERS TO BE MEASURED OVER MANDRELS,  
 RING GAGES OR PIN GAGES OF SUITABLE SIZE

|                       |                           |
|-----------------------|---------------------------|
| VTE Material Part No: | 1101700102                |
| Material:             | RED PVC                   |
| Material Part No      | M1170 FR RD or Equivalent |
| Max. Operating Temp:  | 105 C                     |
| Shore Durometer       | "A" 15 SEC. 70+/-5        |
| Specific Gravity:     | 1.34                      |
| Ult. Elongation %:    | 275 Minimum               |
| Tensile Strength PSI: | 1600 PSI Minimum          |
| U.L. Rating:          | 94 V0                     |



|   |           |   |                  |
|---|-----------|---|------------------|
|  |           | <b>VTE Incorporated</b><br>5437 Robinson Road, P.O. Box 790<br>Pellston, Michigan 49769<br>Telephone: 1-800-527-9256, 231-539-8000<br>FAX: 231-539-0914 |                  |
|   |           | REF:  | DATE:<br>3-27-98 |
| TITLE:  |           | EYELET TERMINAL INSULATOR BOOT  |                  |
| MATERIAL:   |           | PART NO.<br>408N8F02  |                  |
| COLOR:  | DRG CLASS |   |                  |