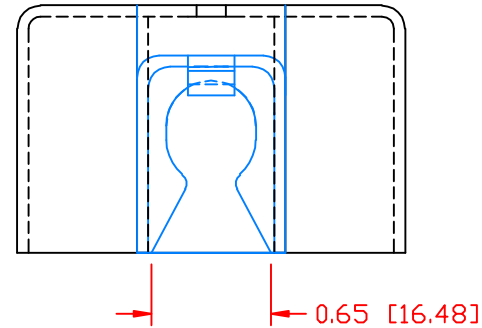
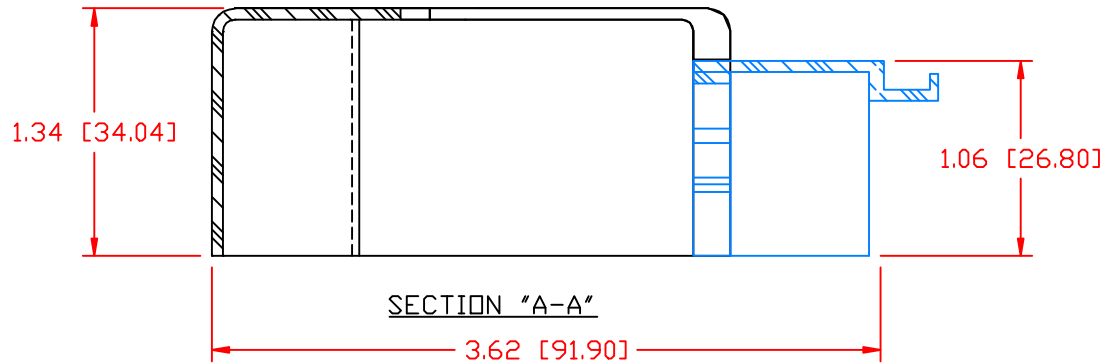
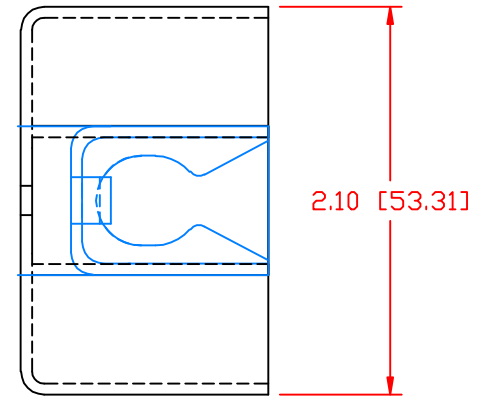
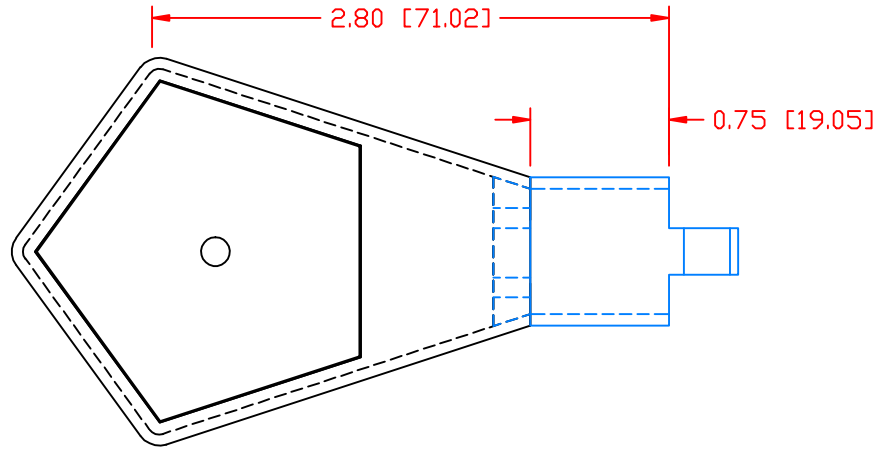


PROPRIETARY RIGHTS ARE CLAIMED FOR THE INFORMATION DISCLOSED IN THIS DRAWING. RELEASE OF THIS DESIGN CONCEPT TO ANY THIRD PARTY CONSTITUTES A VIOLATION OF OUR DEVELOPMENT AGREEMENT.

LTR.	REVISIONS	DATE
⤴	ADDED CUTOFF FOR RISER	10-18-99

TYP. WALL THICKNESS = .06" (1.5mm)



437N7

DESIGNED TO FIT: 50 mm<sup>2</sup> METRIC CABLE

FITS THE FOLLOWING BATTERIES:

UPS 12-140, 12-200, 12-270, 12-310, 12-370, 6-620 WITH 50mm<sup>2</sup> CABLE

MATERIAL: HALOGEN FREE, FIRE RETARDANT THERMOPLASTIC OLEFIN

ELONGATION: 200%

MEETS: U.L. 94-V2

LIMITING OXYGEN INDEX: 37%

COLOR: BLACK

SPECIFIC GRAVITY: 1.05 - 1.10

MINIMUM TENSILE STRENGTH: 1500 PSI

TOLERANCE UNLESS OTHERWISE SPECIFIED: ±.030"/±0.8mm  
 RADIAL DIAMETERS TO BE MEASURED OVER MANDRELS,  
 RING GAGES OR PIN GAGES OF SUITABLE SIZE

**VTE Incorporated**  
 5437 Robinson Road, P.O. Box 790  
 Pellston, Michigan 49769  
 Telephone: 1-800-527-9256, 231-539-8000  
 FAX: 231-539-0914

REF: *****	DATE: 06-15-99	DRN BY: BRH	WEIGHT: 18.3 g
TITLE: BATTERY TERMINAL INSULATOR			SCALE: NONE
MATERIAL: *****	PART NO. 437N7H14		
COLOR: *****	DRG CLASS *****		

