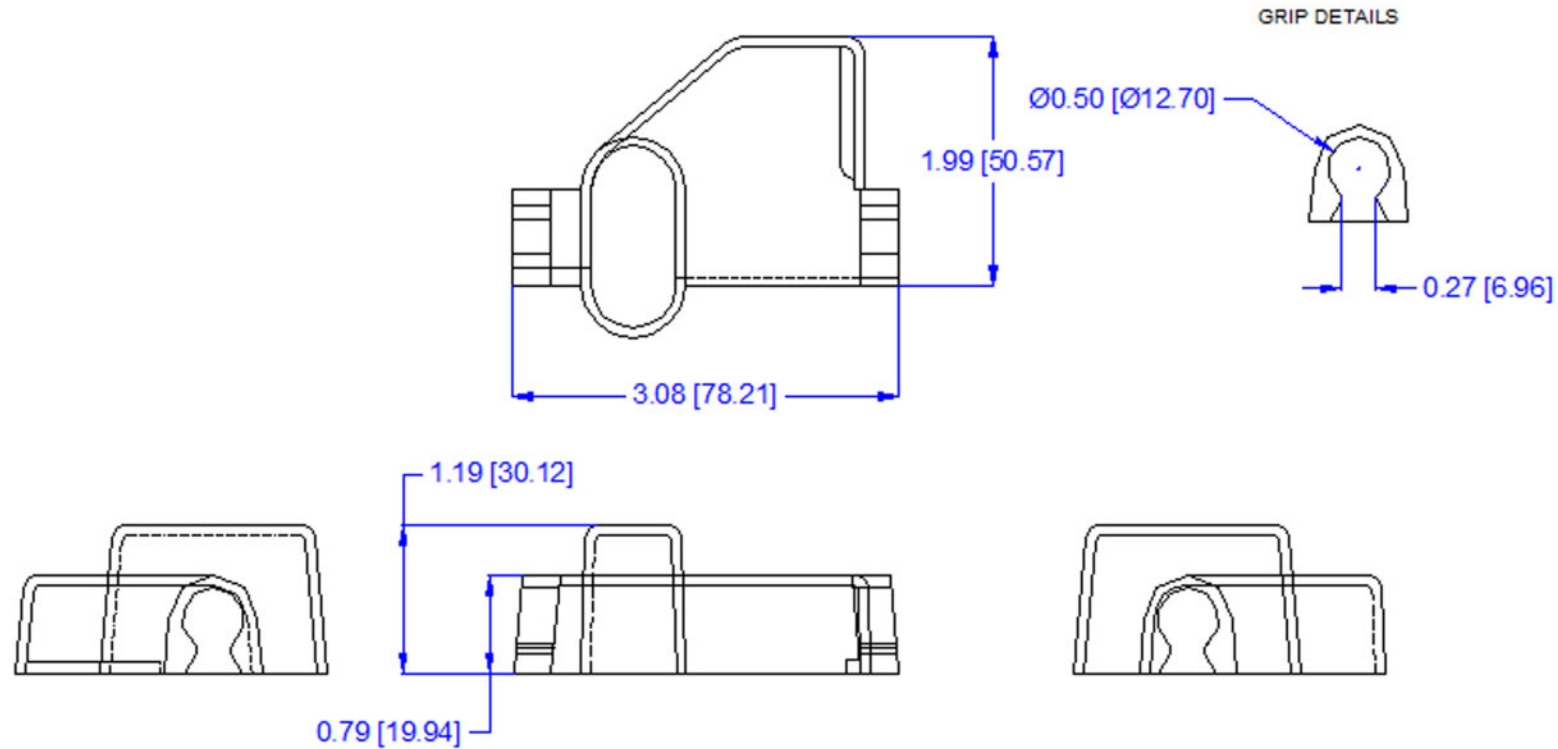


LTR.	REVISIONS	DATE
A	DRAWING LAYOUT/DIMENSION	9/20/99



TOLERANCE UNLESS OTHERWISE SPECIFIED:  $\pm 0.030 / \pm 0.8\text{mm}$   
 RADIAL DIAMETERS TO BE MEASURED OVER MANDRELS, RING  
 GAGES OR PIN GAGES OF SUITABLE SIZE

Material:  
 Material Part No  
 Shore Durometer  
 Specific Gravity:  
 Ult. Elongation %:  
 Tensile Strength PSI:  
 U.L. Rating:

9812-95 BLACK PVC  
 1101950114 OR EQUIVALENT  
 "A" 10 SEC. 98/92  
 1.42  
 175  
 2165  
 94 V2

		<b>VTE Incorporated</b> 5437 Robinson Road, P.O. Box 790 Peleton, Michigan 49769 Telephone: 1-800-527-9256, 231-539-8000 FAX: 231-539-0914	
		REF:	DATE: 07/15/99
TITLE: OFFSET TERMINAL INSULATOR			SCALE: ---
MATERIAL: SEE LIST		PART NO.	
COLOR: BLACK	DRG CLASS	453D9V14	