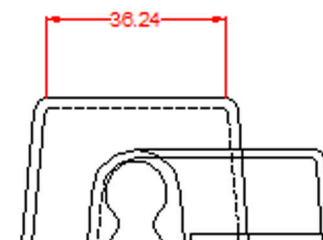
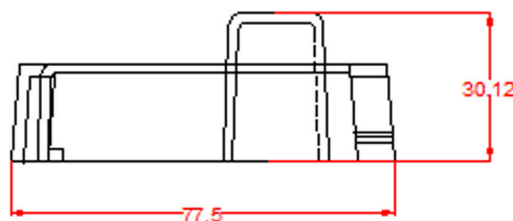
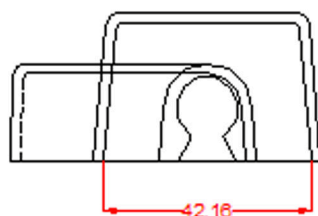
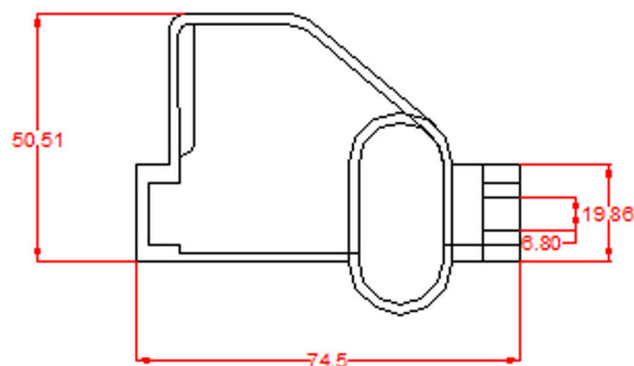


| LTR. | REVISIONS  | DATE    |
|------|--|---------|
| A    | DRAWING LAYOUT/DIMENSION                                       | 9/20/99 |
| B    | REVISED LENGTH TO 74.5 AND 77.5 TO AGREE WITH PARTS AS MFG.'D. | 26NOV12 |

GRIP DETAILS



TOLERANCE UNLESS OTHERWISE SPECIFIED:  $\pm .030$  /  $\pm 0.8$ mm  
 RADIAL DIAMETERS TO BE MEASURED OVER MANDRELS, RING GAGES OR PIN GAGES OF SUITABLE SIZE

Material:  
 Material Part No  
 Shore Durometer  
 Specific Gravity:  
 Ult. Elongation %:  
 Tensile Strength PSI:  
 U.L. Rating:

98 12-95 RED 683  
 1101950102 OR EQUIVALENT  
 "A" 10 SEC. 98/92  
 1.42  
 217  
 2123  
 94 V2



VTE Incorporated

5437 Robinson Road, P.O. Box 790  
 Pellston, Michigan 49769  
 Telephone: 1-800-527-9256, 231-539-8000  
 FAX: 231-539-0914

|                                  |                   |                             |                                |
|----------------------------------|-------------------|-----------------------------|--------------------------------|
| REF:                             | DATE:<br>07/15/99 | DRN BY: LWH<br>CHK'D BY:    | WEIGHT:<br>0.45 LBS. / 20.5 G. |
| TITLE: OFFSET TERMINAL INSULATOR |                   |                             | SCALE: --                      |
| MATERIAL: SEE LIST               |                   | PART NO.<br><b>454R9V02</b> |                                |
| COLOR: <b>RED</b>                | DRG CLASS         |                             |                                |