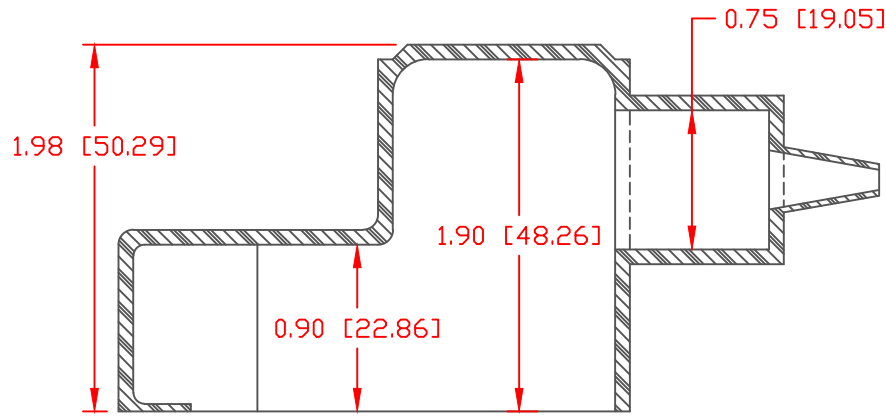


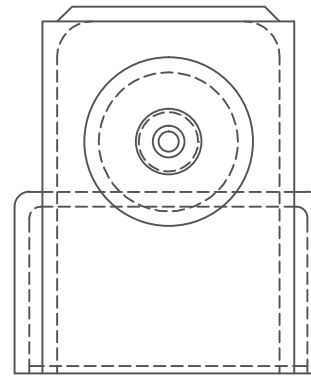
PROPRIETARY RIGHTS ARE CLAIMED FOR THE MATERIAL DISCLOSED IN THIS DRAWING.

TYP. WALL THICKNESS = 2.0 TYP. RADIUS = 2.0

LTR.	REVISIONS	DATE
≠	*****	00-00-98



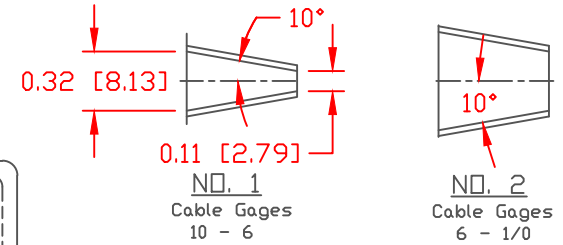
SECTION A-A



SEAL NO. 1 SHOWN

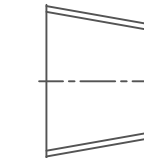
SEAL OPTIONS

SEAL THICKNESS = .8

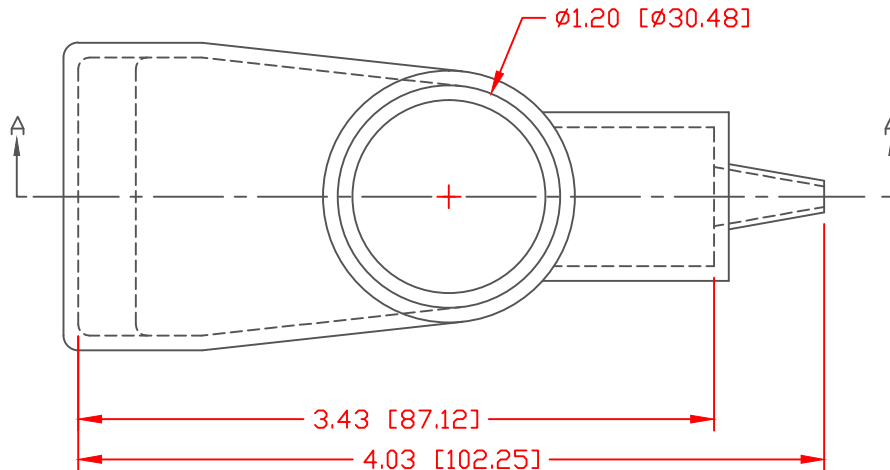


NO. 1
Cable Gages
10 - 6

NO. 2
Cable Gages
6 - 1/0



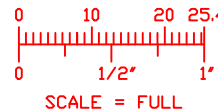
NO. 3
Cable Gages
1/0 - 4/0



TOLERANCE UNLESS OTHERWISE SPECIFIED: $\pm 0.030''/\pm 0.8\text{mm}$
 RADIAL DIAMETERS TO BE MEASURED OVER MANDRELS,
 RING GAGES OR PIN GAGES OF SUITABLE SIZE

VTE Material Part No:	1101650114
Material:	BLACK PVC
Material Part No	9812-65
Max. Operating Temp:	105 C
Shore Durometer	"A" 10 SEC. 67/63
Specific Gravity:	1.33
Ult. Elongation %:	520
Brittle Temp:	-36 C
Tensile Strength PSI:	1563 PSI

U.L. Rating:	94 V2
MEETS:	FMVSS.302



VTE Incorporated
 5437 Robinson Road, P.O. Box 790
 Pellston, Michigan 49769
 Telephone: 1-800-527-9256, 231-539-8000
 FAX: 231-539-0914

REF:	DATE: 3-31-98	DRN BY: JC	WEIGHT: 071 LBS. / 31.9 G.
TITLE: MARINE ADAPTER WING NUT BOOT			
MATERIAL:	PART NO. 457N1V14		
COLOR:	DRG CLASS		