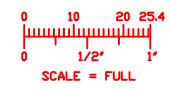
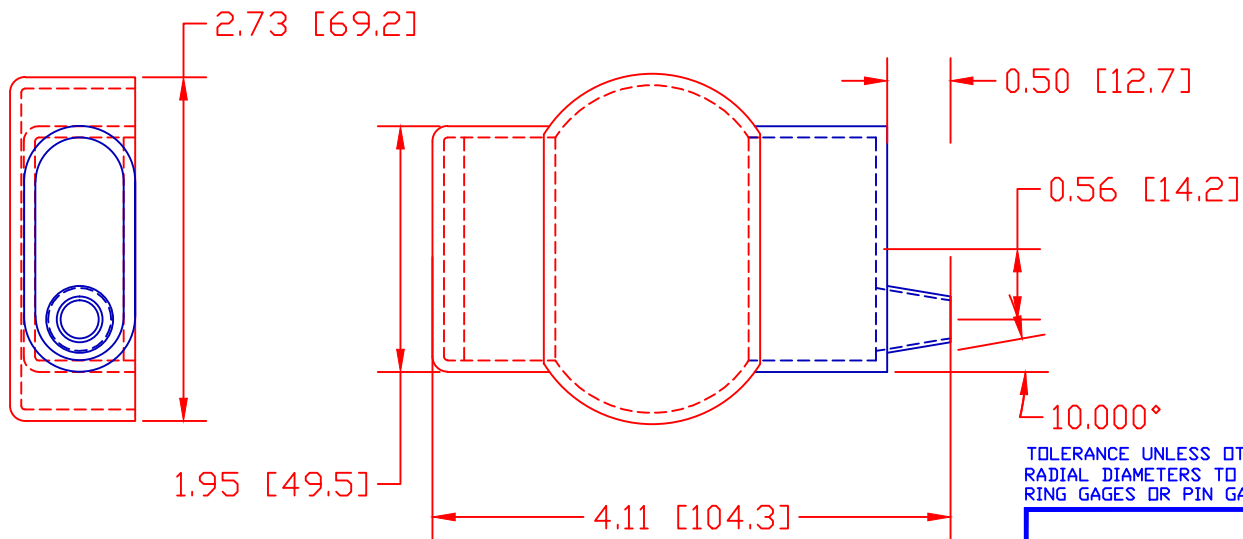
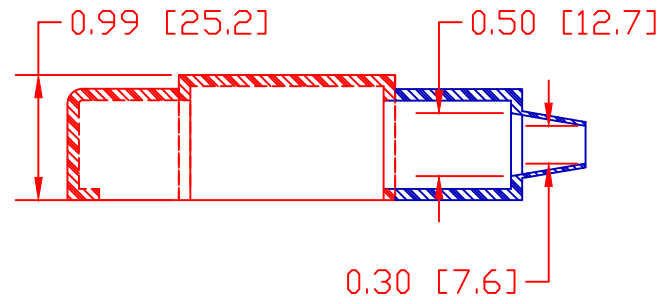


THE INFORMATION CONTAINED IN THIS DRAWING IS THE SOLE PROPERTY OF VTE INCORPORATED. ANY REPRODUCTION IN PART OR WHOLE WITHOUT THE WRITTEN PERMISSION OF VTE INCORPORATED IS PROHIBITED.

LTR.	REVISIONS	DATE
*	***	***



TOLERANCE UNLESS OTHERWISE SPECIFIED:  $\pm 0.030$ "/ $\pm 0.8$ mm  
 RADIAL DIAMETERS TO BE MEASURED OVER MANDRELS,  
 RING GAGES OR PIN GAGES OF SUITABLE SIZE

VTE Material Part No: 1101700102  
 Material: RED PVC  
 Material Part No: M1170 FR RD or Equivalent  
 Max. Operating Temp: 105 C  
 Shore Durometer "A" 15 SEC. 70+/-5  
 Specific Gravity: 1.34  
 Ult. Elongation %: 275 Minimum  
 Tensile Strength PSI: 1600 PSI Minimum  
 U.L. Rating: 94 V0

**VTE Incorporated**  
 5437 Robinson Road, P.O. Box 790  
 Pellston, Michigan 49769  
 Telephone: 1-800-527-9256, 231-539-8000  
 FAX: 231-539-0914

REF: OK26900-3	DATE: 06-JUN-01	DRN BY: BRH	WEIGHT: ***
TITLE: BATTERY TERMINAL INSULATOR			SCALE: NOTED
MATERIAL: NOTED		PART NO.	
COLOR: NOTED	DRG CLASS: *****	466L2F02	