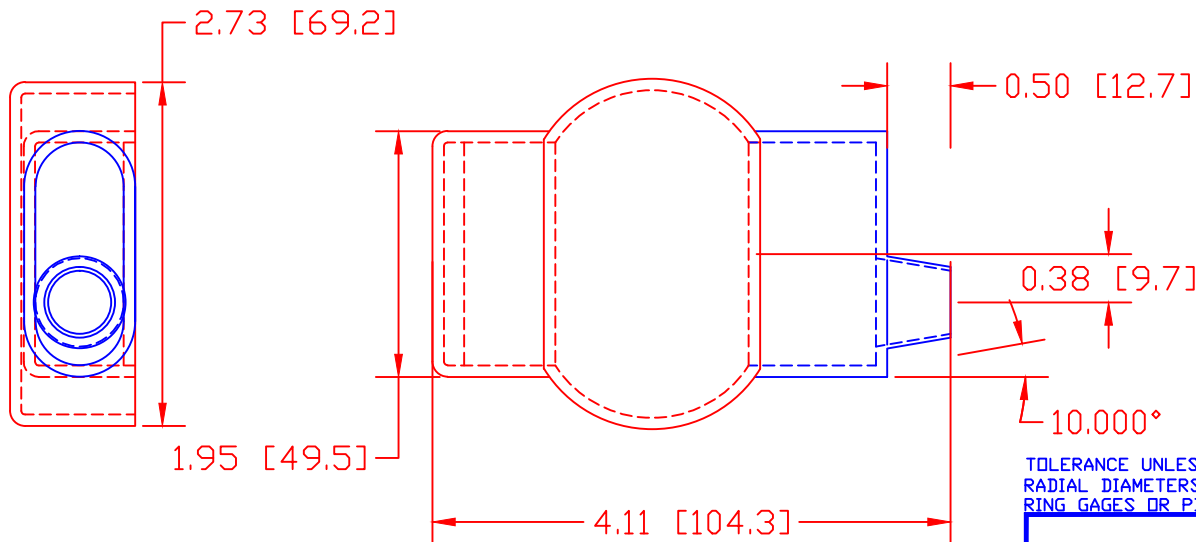
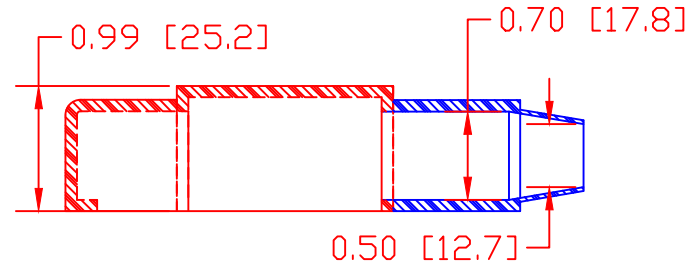


THE INFORMATION CONTAINED IN THIS DRAWING IS THE SOLE PROPERTY OF VTE INCORPORATED. ANY REPRODUCTION IN PART OR WHOLE WITHOUT THE WRITTEN PERMISSION OF VTE INCORPORATED IS PROHIBITED.

LTR.	REVISIONS	DATE
*	***	***



TOLERANCE UNLESS OTHERWISE SPECIFIED: ± 0.30 "/ ± 0.8 mm
 RADIAL DIAMETERS TO BE MEASURED OVER MANDRELS,
 RING GAGES OR PIN GAGES OF SUITABLE SIZE

VTE Material Part No:
 Material:
 Material Part No
 Max. Operating Temp:
 Shore Durometer
 Specific Gravity:
 Ult. Elongation %:
 Brittle Temp:
 Tensile Strength PSI:
 Dielectric Strength, v./ml
 U.L. Rating:
 MEETS:

1101650109
 BLUE PVC
 05-916R
 105 C
 "A" 65
 1.27
 325

 1500 PSI

VTE Incorporated
 5437 Robinson Road, P.O. Box 790
 Pellston, Michigan 49769
 Telephone: 1-800-527-9256, 231-539-8000
 FAX: 231-539-0914

REF: OK26900-3	DATE: 06-JUN-01	DRN BY: BRH CHK'D BY: BRH	WEIGHT: 078 LBS. / 35.4 G.
TITLE: BATTERY TERMINAL INSULATOR			SCALE: NOTED
MATERIAL: NOTED		PART NO.	
COLOR: NOTED	DRG CLASS: ****	466L3V09	