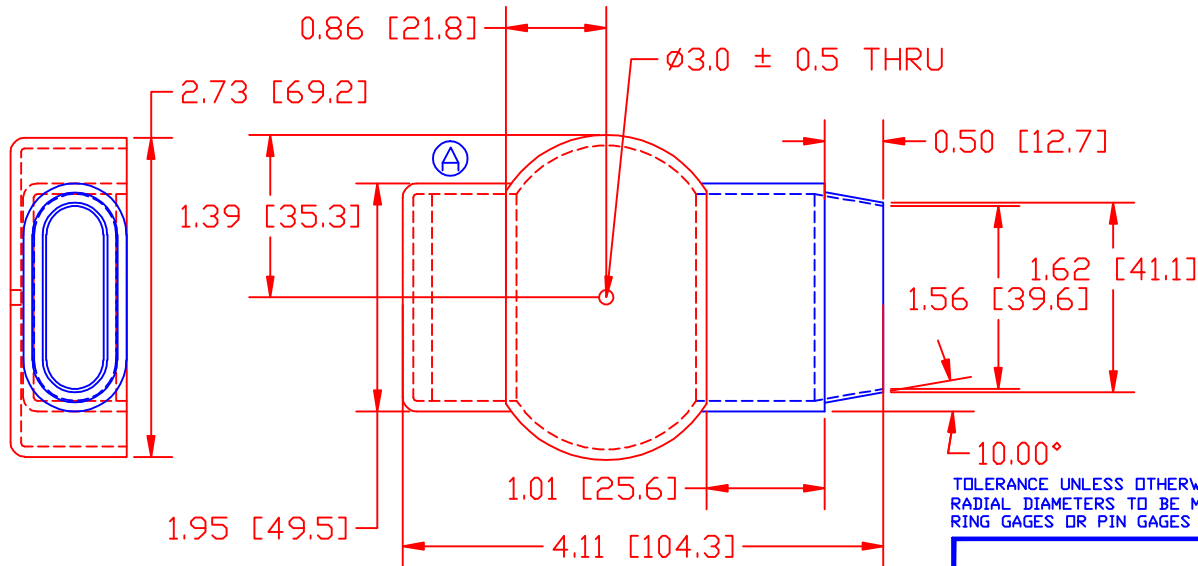
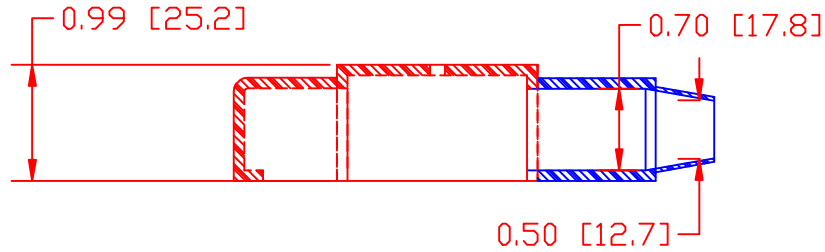


THE INFORMATION CONTAINED IN THIS DRAWING IS THE SOLE PROPERTY OF VTE INCORPORATED. ANY REPRODUCTION IN PART OR WHOLE WITHOUT THE WRITTEN PERMISSION OF VTE INCORPORATED IS PROHIBITED.

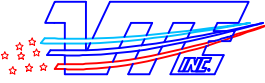
LTR.	REVISIONS	DATE
A	ADDED INSPECTION HOLE	06MAY10



TOLERANCE UNLESS OTHERWISE SPECIFIED:  $\pm 0.030''/\pm 0.8\text{mm}$   
 RADIAL DIAMETERS TO BE MEASURED OVER MANDRELS,  
 RING GAGES OR PIN GAGES OF SUITABLE SIZE

VTE Material Part No:  
 Material:  
 Material Part No  
 Max. Operating Temp:  
 Shore Durometer  
 Specific Gravity:  
 Ult. Elongation %:  
 Tensile Strength PSI:  
 U.L. Rating:

1101700114  
 BLACK PVC  
 M1170-FR or Equivalent  
 105 C  
 "A" 15 SEC. 70+/-5  
 1.34  
 275 Minimum  
 1600 PSI Minimum  
 94 V0

		<b>VTE Incorporated</b> 5437 Robinson Road, P.O. Box 790 Pellston, Michigan 49769 Telephone: 1-800-527-9256, 231-539-8000 FAX: 231-539-0914	
		REF: DK26900-3	DATE: 06-JUN-01
TITLE: BATTERY TERMINAL INSULATOR SPECIAL FOR ALBRIGHT			SCALE: NOTED
MATERIAL: NOTED		PART NO.	
COLOR: NOTED	DRG CLASS: *****	466N9XF14	