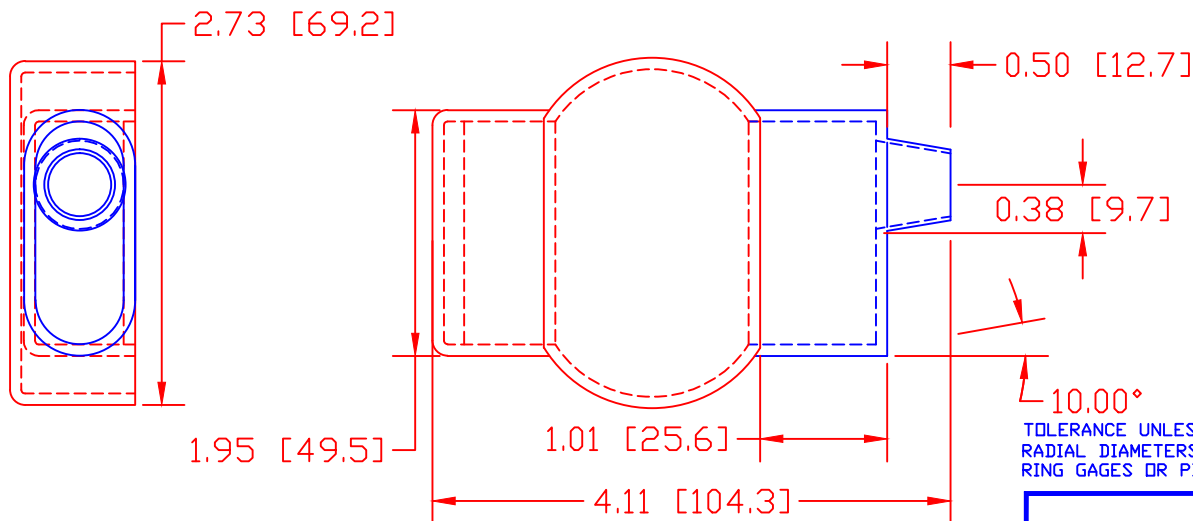
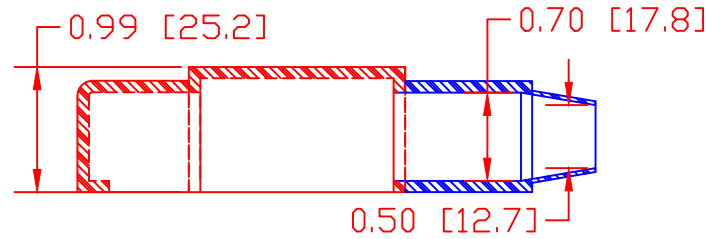


THE INFORMATION CONTAINED IN THIS DRAWING IS THE SOLE PROPERTY OF VTE INCORPORATED. ANY REPRODUCTION IN PART OR WHOLE WITHOUT THE WRITTEN PERMISSION OF VTE INCORPORATED IS PROHIBITED.

| | | |
|------|-----------|------|
| LTR. | REVISIONS | DATE |
| * | *** | *** |



TOLERANCE UNLESS OTHERWISE SPECIFIED: $\pm 0.30'$ / $\pm 0.8\text{mm}$
 RADIAL DIAMETERS TO BE MEASURED OVER MANDRELS,
 RING GAGES OR PIN GAGES OF SUITABLE SIZE

VTE Material Part No:
 Material:
 Material Part No
 Max. Operating Temp:
 Shore Durometer
 Specific Gravity:
 Ult. Elongation %:
 Brittle Temp:
 Tensile Strength PSI:
 Dielectric Strength, v./ml
 U.L. Rating:
 MEETS:

1101650109
 BLUE PVC
 05-916R
 105 C
 "A" 65
 1.27
 325

 1500 PSI



VTE Incorporated
 5437 Robinson Road, P.O. Box 790
 Pellston, Michigan 49769
 Telephone: 1-800-527-9256, 231-539-8000
 FAX: 231-539-0914

| | | | | |
|-----------------------------------|-----------|-----------|----------|--------------|
| REF: | DATE: | DRN BY: | BRH | WEIGHT: |
| OK26900-3 | 06-JUN-01 | CHK'D BY: | BRH | *** |
| TITLE: BATTERY TERMINAL INSULATOR | | | | SCALE: NOTED |
| MATERIAL: NOTED | | | PART NO. | |
| COLOR: NOTED | DRG CLASS | **** | 466R3V09 | |