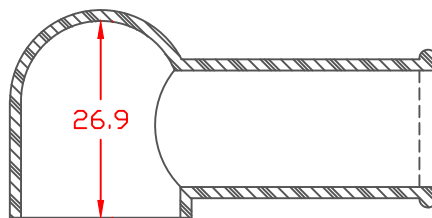
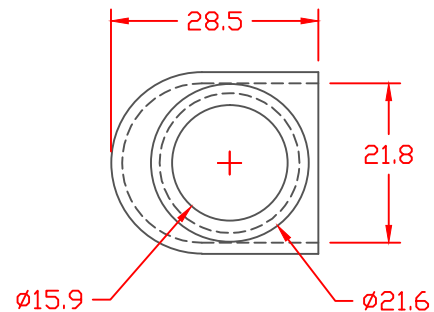
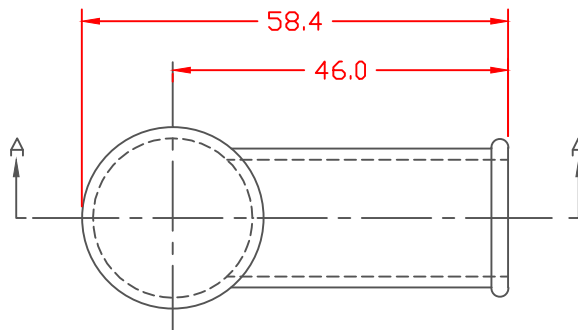


PROPRIETARY RIGHTS ARE CLAIMED FOR THE MATERIAL DISCLOSED IN THIS DRAWING.

TYP. WALL THICKNESS = 1.5
TYP. RADIUS = 1.5

LTR.	REVISIONS	DATE
≡	*****	00-00-98




SECTION A-A

TOLERANCE UNLESS OTHERWISE SPECIFIED: $\pm 0.30"/\pm 0.8mm$
RADIAL DIAMETERS TO BE MEASURED OVER MANDRELS,
RING GAGES OR PIN GAGES OF SUITABLE SIZE

VTE Material Part No:
Material:
Material Part No
Max. Operating Temp:
Shore Durometer
Specific Gravity:
Ult. Elongation %:
Tensile Strength PSI:
U.L. Rating:

1101700102
RED PVC
M1170 FR RD or Equivalent
105 C
"A" 15 SEC. 70+/-5
1.34
275 Minimum
1600 PSI Minimum
94 V0



		VTE Incorporated 5437 Robinson Road, P.O. Box 790 Pellston, Michigan 49769 Telephone: 1-800-527-9256, 231-539-8000 FAX: 231-539-0914	
		REF:	DATE: 4-1-98
TITLE: TERMINAL INSULATOR BOOT			
MATERIAL:		PART NO. 470N9F02	
COLOR:	DRG CLASS		