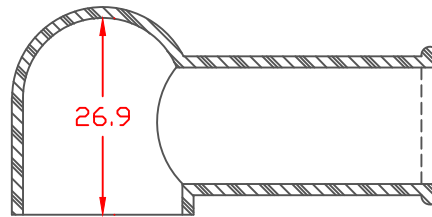
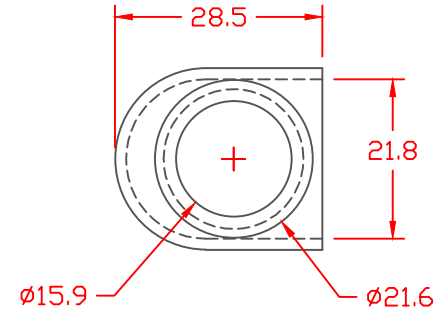
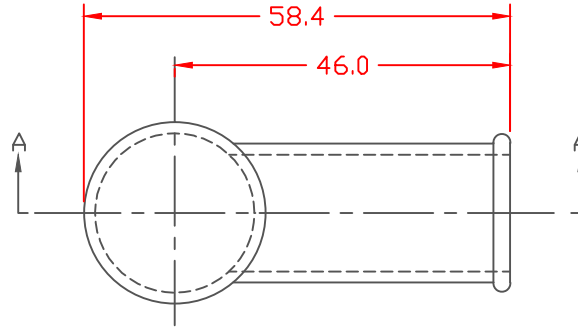


PROPRIETARY RIGHTS ARE CLAIMED FOR THE MATERIAL DISCLOSED IN THIS DRAWING.

TYP. WALL THICKNESS = 1.5  
TYP. RADIUS = 1.5

LTR.	REVISIONS	DATE
≡	*****	00-00-98




SECTION A-A

TOLERANCE UNLESS OTHERWISE SPECIFIED:  $\pm 0.30"/\pm 0.8mm$   
RADIAL DIAMETERS TO BE MEASURED OVER MANDRELS,  
RING GAGES OR PIN GAGES OF SUITABLE SIZE

VTE Material Part No:  
Material:  
Material Part No  
Max. Operating Temp:  
Shore Durometer  
Specific Gravity:  
Ult. Elongation %:  
Brittle Temp:  
Tensile Strength PSI:  
Dielectric Strength, v./ml  
U.L. Rating:  
MEETS:

1101650109  
BLUE PVC  
05-916R  
105 C  
"A" 65  
1.27  
325  
\*\*\*\*  
1500 PSI  
\*\*\*\*  
\*\*\*\*  
\*\*\*\*



		<b>VTE Incorporated</b> 5437 Robinson Road, P.O. Box 790 Pellston, Michigan 49769 Telephone: 1-800-527-9256, 231-539-8000 FAX: 231-539-0914	
		REF:	DATE:
	4-1-98	CHK'D BY:	018 LBS. / 7.98 G.
TITLE: <b>TERMINAL INSULATOR BOOT</b>			
MATERIAL:		PART NO.	
		<b>470N9V09</b>	
COLOR:	DRG CLASS		