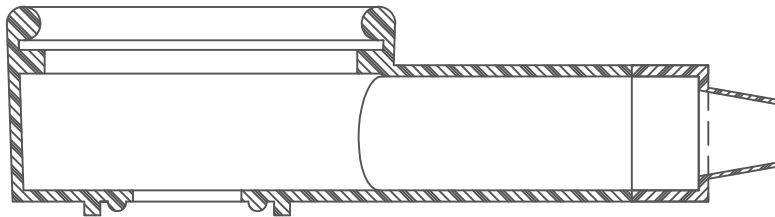
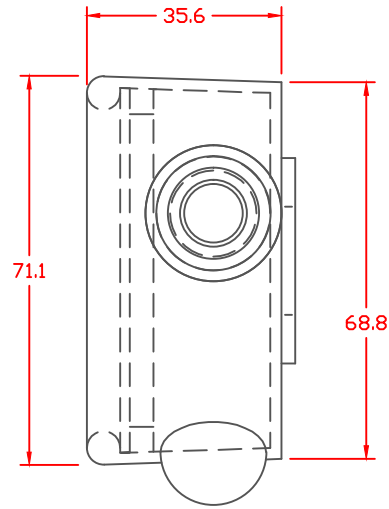
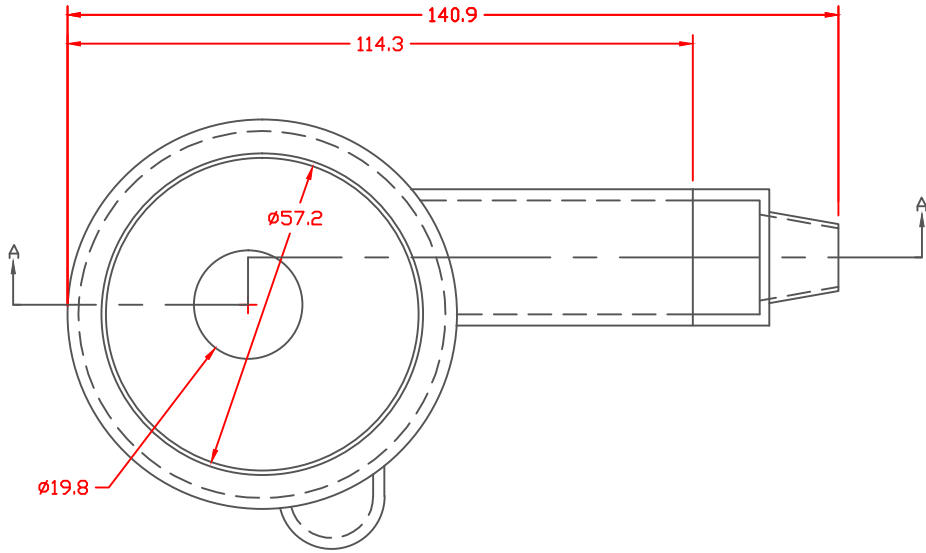


PROPRIETARY RIGHTS ARE CLAIMED FOR THE MATERIAL DISCLOSED IN THIS DRAWING.

LTR.	REVISIONS	DATE
≠	*****	00-00-98



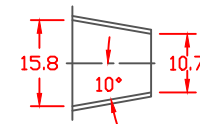
SECTION A-A

TYP. WALL THICKNESS = 2.0  
TYP. RADIUS = 2.0

VTE Material Part No:  
Material:  
Material Part No  
Max. Operating Temp:  
Shore Durometer  
Specific Gravity:  
Ult. Elongation %:  
Brittle Temp:  
Tensile Strength PSI:  
Dielectric Strength, v./ml  
U.L. Rating:  
MEETS:

1101650109  
BLUE PVC  
05-916R  
105 C  
"A" 65  
1.27  
325  
\*\*\*\*  
1500 PSI  
\*\*\*\*  
\*\*\*\*  
\*\*\*\*


SEAL  
SEAL THICKNESS = .8



Cable Gages

TOLERANCE UNLESS OTHERWISE SPECIFIED:  $\pm .030$  /  $\pm 0.8$ mm  
RADIAL DIAMETERS TO BE MEASURED OVER MANDRELS,  
RING GAGES OR PIN GAGES OF SUITABLE SIZE



		<b>VTE Incorporated</b> 5437 Robinson Road, P.O. Box 790 Pellston, Michigan 49769 Telephone: 1-800-527-9256, 231-539-8000 FAX: 231-539-0914		
		REF:	DATE: 3-20-98	DRN BY: JC CHK'D BY:
TITLE: 8D BATTERY TERMINAL PROTECTOR				SCALE: 3/4" = 1"
MATERIAL:		PART NO. 476N7V09		
COLOR:	DRG CLASS			