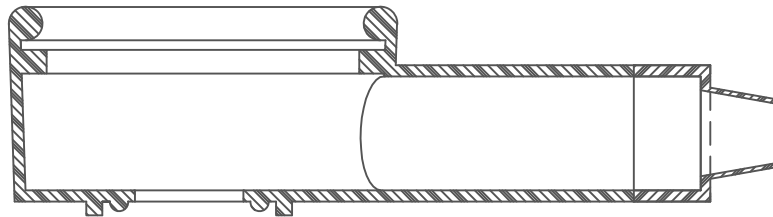
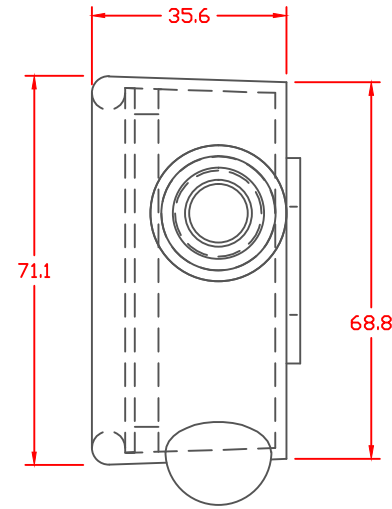
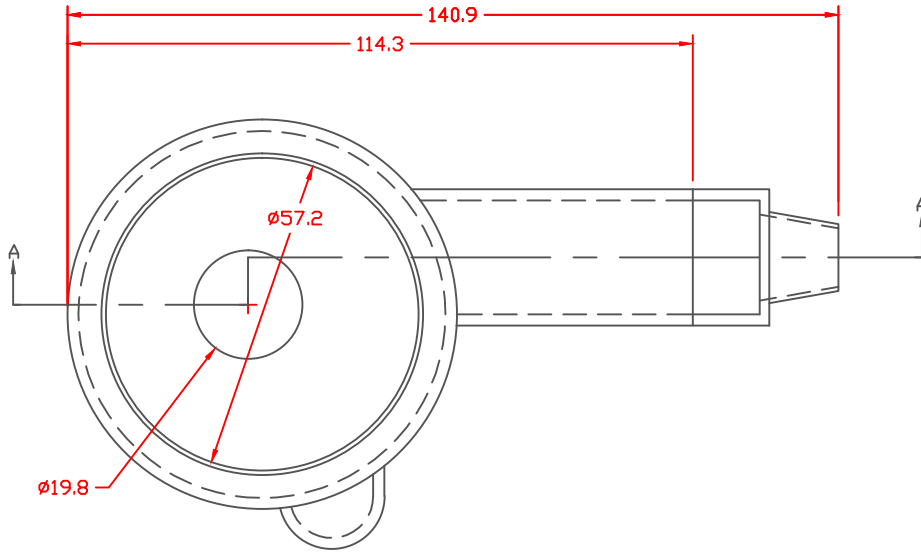


PROPRIETARY RIGHTS ARE CLAIMED FOR THE MATERIAL DISCLOSED IN THIS DRAWING.

LTR.	REVISIONS	DATE
≠	*****	00-00-98



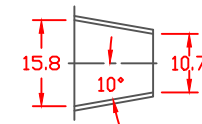
SECTION A-A

TYP. WALL THICKNESS = 2.0
TYP. RADIUS = 2.0

VTE Material Part No: 1101650114
Material: BLACK PVC
Material Part No: 9812-65
Max. Operating Temp: 105 C
Shore Durometer: "A" 10 SEC. 67/63
Specific Gravity: 1.33
Ult. Elongation %: 520
Brittle Temp: -36 C
Tensile Strength PSI: 1563 PSI

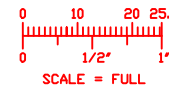
U.L. Rating: 94 V2
MEETS: FMVSS.302


SEAL
SEAL THICKNESS = .8



Cable Gages

TOLERANCE UNLESS OTHERWISE SPECIFIED: $\pm .030$ / ± 0.8 mm
RADIAL DIAMETERS TO BE MEASURED OVER MANDRELS,
RING GAGES OR PIN GAGES OF SUITABLE SIZE



		VTE Incorporated 5437 Robinson Road, P.O. Box 790 Pellston, Michigan 49769 Telephone: 1-800-527-9256, 231-539-8000 FAX: 231-539-0914	
		REF:	DATE: 3-20-98
TITLE: 8D BATTERY TERMINAL PROTECTOR		CHK'D BY:	SCALE: 3/4" = 1"
MATERIAL:		PART NO. 476N7V14	
COLOR:	DRG CLASS		