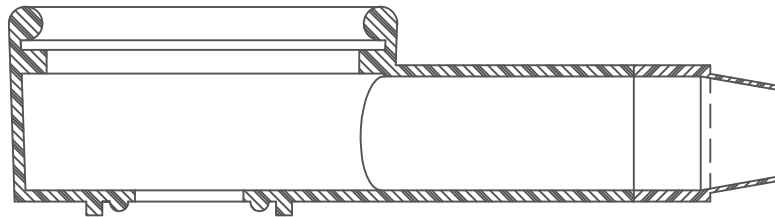
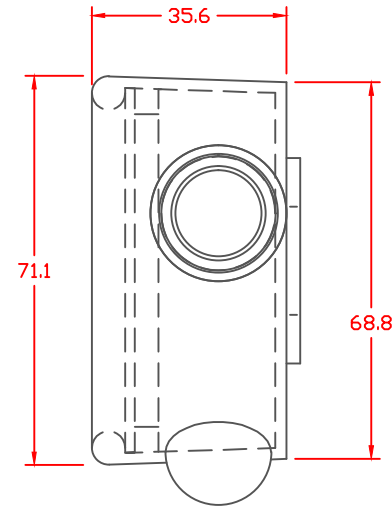
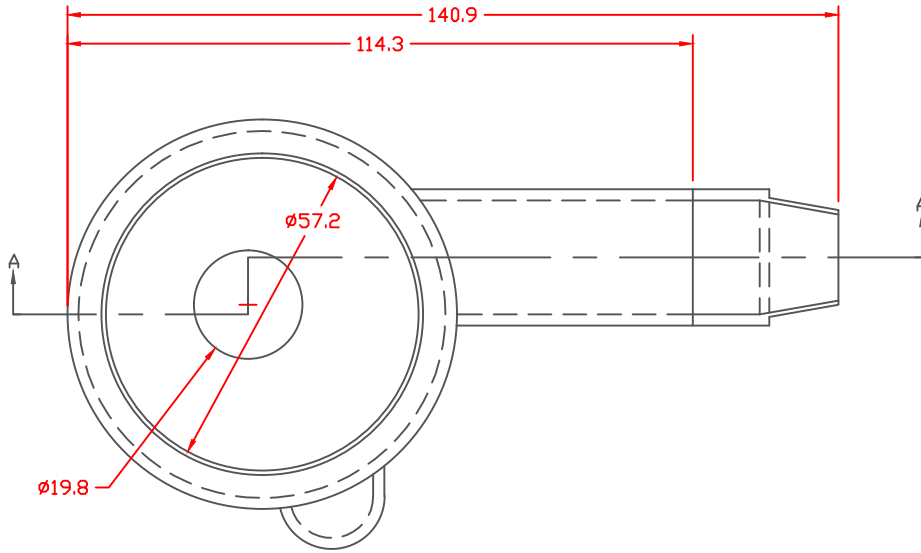


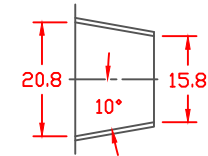
PROPRIETARY RIGHTS ARE CLAIMED FOR THE MATERIAL DISCLOSED IN THIS DRAWING.

LTR.	REVISIONS	DATE
≠	*****	00-00-98



SECTION A-A

SEAL  
SEAL THICKNESS = .8



TYP. WALL THICKNESS = 2.0  
TYP. RADIUS = 2.0

VTE Material Part No:	1101700114
Material:	BLACK PVC
Material Part No:	M1170-FR or Equivalent
Max. Operating Temp:	105 C
Shore Durometer:	"A" 15 SEC. 70+/-5
Specific Gravity:	1.34
Ult. Elongation %:	275 Minimum
Tensile Strength PSI:	1600 PSI Minimum
U.L. Rating:	94 V0

TOLERANCE UNLESS OTHERWISE SPECIFIED:  $\pm 0.030$  /  $\pm 0.8$ mm  
RADIAL DIAMETERS TO BE MEASURED OVER MANDRELS,  
RING GAGES OR PIN GAGES OF SUITABLE SIZE



VTE Incorporated  
5437 Robinson Road, P.O. Box 790  
Pellston, Michigan 49769  
Telephone: 1-800-527-9256, 231-539-8000  
FAX: 231-539-0914

REF:	DATE: 3-20-98	DRN BY: JC	WEIGHT: .11 LBS. / 49.9 G.
TITLE: 8D BATTERY TERMINAL PROTECTOR		CHK'D BY:	SCALE: 3/4" = 1"
MATERIAL:		PART NO. 476N8F14	
COLOR:	DRG CLASS		

