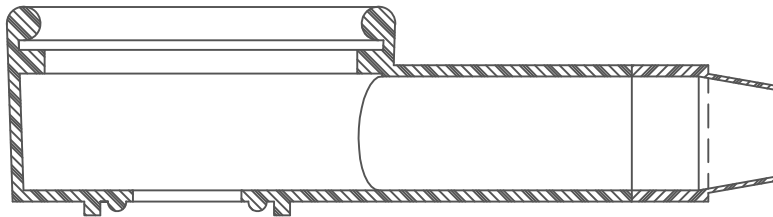
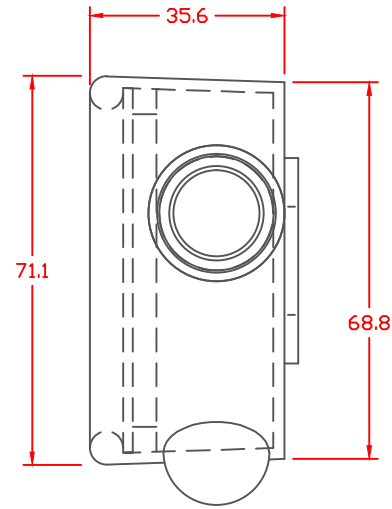
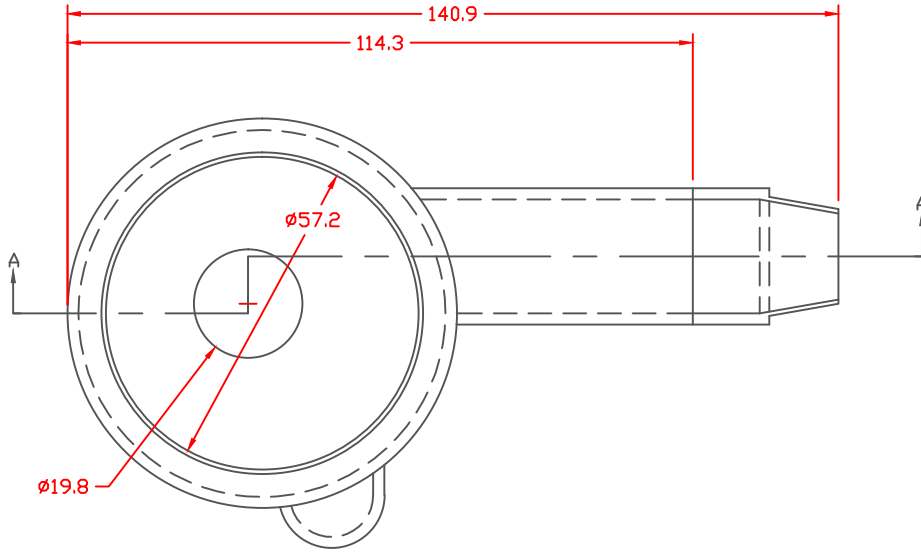


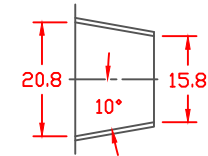
PROPRIETARY RIGHTS ARE CLAIMED FOR THE MATERIAL DISCLOSED IN THIS DRAWING.

LTR.	REVISIONS	DATE
≠	*****	00-00-98



SECTION A-A

SEAL
SEAL THICKNESS = .8



TYP. WALL THICKNESS = 2.0
TYP. RADIUS = 2.0

VTE Material Part No: 1101650102
Material: RED PVC
Material Part No: 9812-65-RED683
Max. Operating Temp: 105 C
Shore Durometer: "A" 10 SEC. 67/62
Specific Gravity: 1.34
Ult. Elongation %: 475
Brittle Temp: -44 C
Tensile Strength PSI: 1547 PSI

U.L. Rating: 94 V2
MEETS: FMVSS.302



TOLERANCE UNLESS OTHERWISE SPECIFIED: ±.030" / ±0.8mm
RADIAL DIAMETERS TO BE MEASURED OVER MANDRELS,
RING GAGES OR PIN GAGES OF SUITABLE SIZE

VTE Incorporated
5437 Robinson Road, P.O. Box 790
Pellston, Michigan 49769
Telephone: 1-800-527-9256, 231-539-8000
FAX: 231-539-0914

REF:	DATE: 3-20-98	DRN BY: JC	WEIGHT: .11 LBS. / 49.9 G.
TITLE: 8D BATTERY TERMINAL PROTECTOR		CHK'D BY:	SCALE: 3/4" = 1"
MATERIAL:	PART NO. 476N8V02		
COLOR:	DRG CLASS		