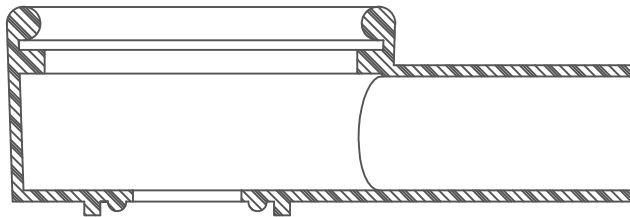
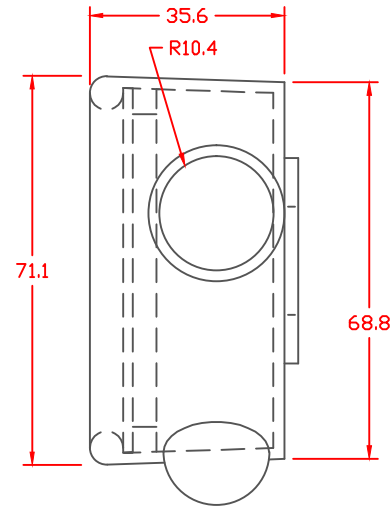
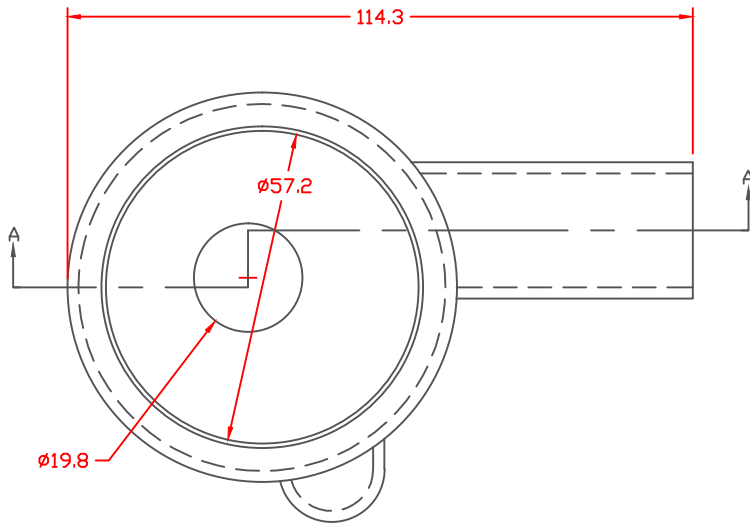


PROPRIETARY RIGHTS ARE CLAIMED FOR THE MATERIAL DISCLOSED IN THIS DRAWING.

LTR.	REVISIONS	DATE
≠	*****	00-00-98



SECTION A-A


TYP. WALL THICKNESS = 2.0
TYP. RADIUS = 2.0

VTE Material Part No: 1101650102
Material: RED PVC
Material Part No: 9812-65-RED683
Max. Operating Temp: 105 C
Shore Durometer "A" 10 SEC. 67/62
Specific Gravity: 1.34
Ult. Elongation %: 475
Brittle Temp: -44 C
Tensile Strength PSI: 1547 PSI

U.L. Rating: 94 V2
MEETS: FMVSS.302



TOLERANCE UNLESS OTHERWISE SPECIFIED: ±0.30"/±0.8mm
RADIAL DIAMETERS TO BE MEASURED OVER MANDRELS,
RING GAGES OR PIN GAGES OF SUITABLE SIZE

		VTE Incorporated 5437 Robinson Road, P.O. Box 790 Pellston, Michigan 49769 Telephone: 1-800-527-9256, 231-539-8000 FAX: 231-539-0914	
		REF:	DATE: 3-20-98
TITLE: 8D BATTERY TERMINAL PROTECTOR		CHK'D BY:	SCALE: 3/4" = 1"
MATERIAL:		PART NO. 476N9V02	
COLOR:	DRG CLASS		