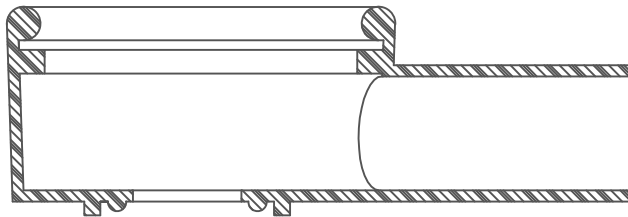
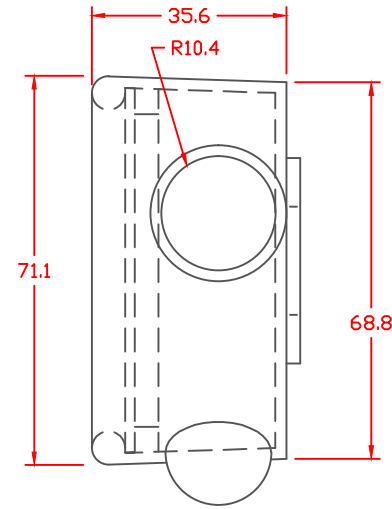
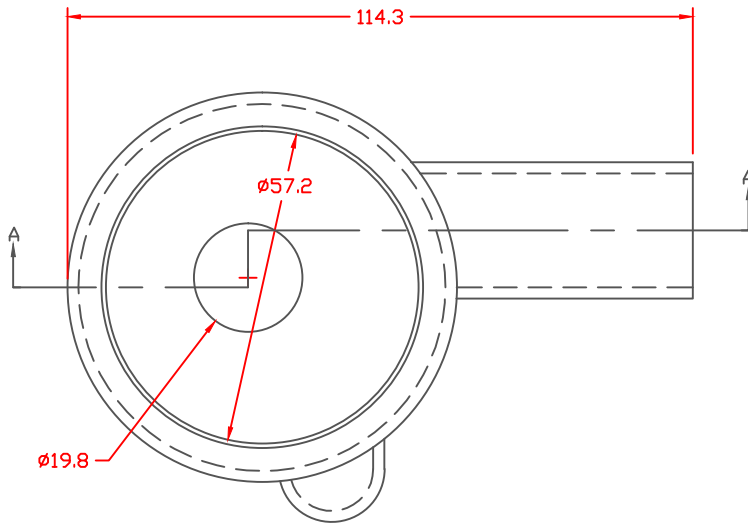


PROPRIETARY RIGHTS ARE CLAIMED FOR THE MATERIAL DISCLOSED IN THIS DRAWING.

LTR.	REVISIONS	DATE
≠	*****	00-00-98



SECTION A-A

TYP. WALL THICKNESS = 2.0
TYP. RADIUS = 2.0

VTE Material Part No: 1101650109
Material: BLUE PVC
Material Part No: 05-916R
Max. Operating Temp: 105 C
Shore Durometer "A" 65
Specific Gravity: 1.27
Ult. Elongation %: 325
Brittle Temp: ****
Tensile Strength PSI: 1500 PSI
Dielectric Strength, v./ml: ****
U.L. Rating: ****
MEETS: ****

TOLERANCE UNLESS OTHERWISE SPECIFIED: ±.030"/±0.8mm
RADIAL DIAMETERS TO BE MEASURED OVER MANDRELS,
RING GAGES OR PIN GAGES OF SUITABLE SIZE



VTE Incorporated
5437 Robinson Road, P.O. Box 790
Pellston, Michigan 49769
Telephone: 1-800-527-9256, 231-539-8000
FAX: 231-539-0914

REF:	DATE: 3-20-98	DRN BY: JC	WEIGHT: .11 LBS. / 49.9 G.
TITLE: 8D BATTERY TERMINAL PROTECTOR		CHK'D BY:	SCALE: 3/4" = 1"
MATERIAL:		PART NO. 476N9V09	
COLOR:	DRG CLASS		

