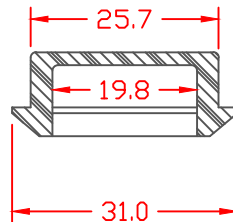
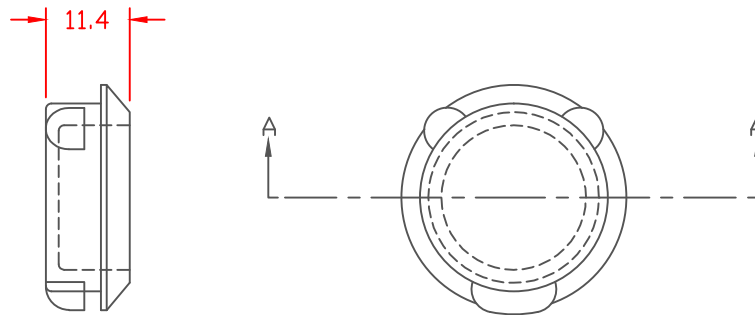


PROPRIETARY RIGHTS ARE CLAIMED FOR THE MATERIAL DISCLOSED IN THIS DRAWING.  
 TO BE USED WITH VTE 480 TO FILL UNUSED OPENINGS  
 TYP. RADIUS = 3.3

LTR.	REVISIONS	DATE
≠	*****	00-00-98




SECTION A-A

TOLERANCE UNLESS OTHERWISE SPECIFIED: ±.030"/±0.8mm  
 RADIAL DIAMETERS TO BE MEASURED OVER MANDRELS,  
 RING GAGES OR PIN GAGES OF SUITABLE SIZE

VTE Material Part No: 1101650102  
 Material: RED PVC  
 Material Part No: 9812-65-RED683  
 Max. Operating Temp: 105 C  
 Shore Durometer "A" 10 SEC. 67/62  
 Specific Gravity: 1.34  
 Ult. Elongation %: 475  
 Brittle Temp: -44 C  
 Tensile Strength PSI: 1547 PSI

U.L. Rating: 94 V2  
 MEETS: FMVSS.302



		<b>VTE Incorporated</b> 5437 Robinson Road, P.O. Box 790 Pellston, Michigan 49769 Telephone: 1-800-527-9256, 231-539-8000 FAX: 231-539-0914	
		REF:	DATE:
	4-1-98	CHK'D BY:	4.2 grams
TITLE: 8D BATTERY CAP PLUG			
MATERIAL:		PART NO.	
COLOR:	DRG CLASS	477NOV02	