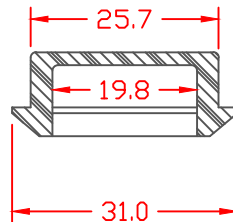
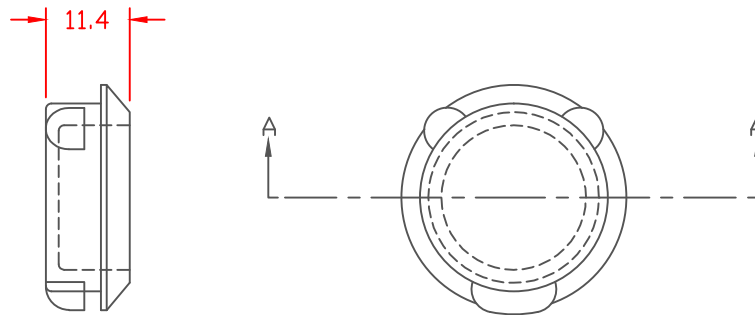


PROPRIETARY RIGHTS ARE CLAIMED FOR THE MATERIAL DISCLOSED IN THIS DRAWING.  
 TO BE USED WITH VTE 480 TO FILL UNUSED OPENINGS  
 TYP. RADIUS = 3.3

LTR.	REVISIONS	DATE
≠	*****	00-00-98

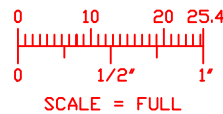



SECTION A-A

TOLERANCE UNLESS OTHERWISE SPECIFIED: ±.030"/±0.8mm  
 RADIAL DIAMETERS TO BE MEASURED OVER MANDRELS,  
 RING GAGES OR PIN GAGES OF SUITABLE SIZE

VTE Material Part No: 1101650114  
 Material: BLACK PVC  
 Material Part No: 9812-65  
 Max. Operating Temp: 105 C  
 Shore Durometer: "A" 10 SEC. 67/63  
 Specific Gravity: 1.33  
 Ult. Elongation %: 520  
 Brittle Temp: -36 C  
 Tensile Strength PSI: 1563 PSI

U.L. Rating: 94 V2  
 MEETS: FMVSS.302



		<b>VTE Incorporated</b> 5437 Robinson Road, P.O. Box 790 Pellston, Michigan 49769 Telephone: 1-800-527-9256, 231-539-8000 FAX: 231-539-0914	
		REF:	DATE: 4-1-98
TITLE: 8D BATTERY CAP PLUG		CHK'D BY:	
MATERIAL:		PART NO. 477N0V14	
COLOR:	DRG CLASS:		