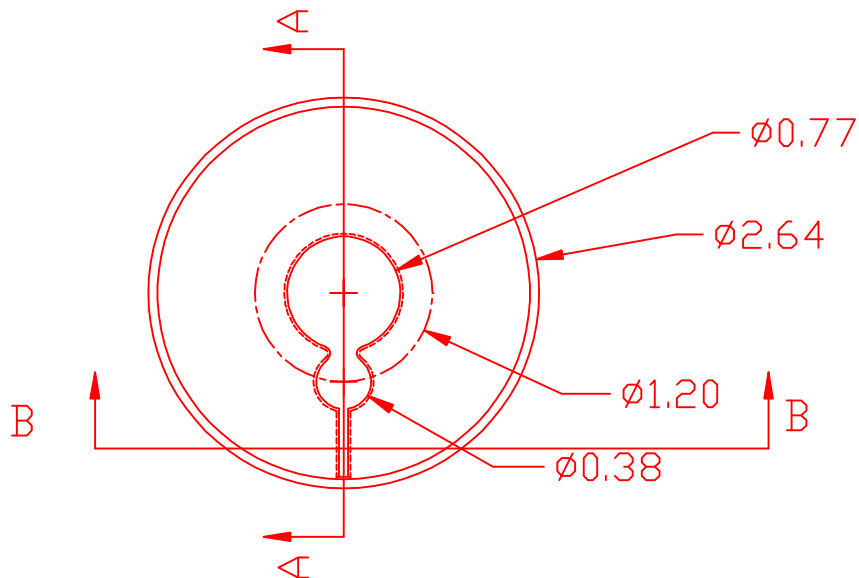
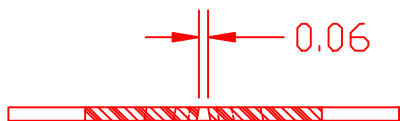


THE INFORMATION CONTAINED IN THIS DRAWING IS THE SOLE PROPERTY OF VTE INCORPORATED. ANY REPRODUCTION IN PART OR WHOLE WITHOUT THE WRITTEN PERMISSION OF VTE INCORPORATED IS PROHIBITED.

LTR.	REVISIONS	DATE
✖	*****	00-00-98



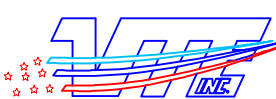
SECTION A-A



SECTION B-B

MATERIAL: CLEAR PVC
95 DUROMETER (SHORE A)



		VTE Incorporated 5437 Robinson Road, P.O. Box 790 Pellston, Michigan 49769 Telephone: 1-800-527-9256, 231-539-8000 FAX: 231-539-0914	
		REF: 479N0P02	DATE: 31-MAY-01
TITLE: POWER POST INSULATOR 3/8"			SCALE: NOTED
MATERIAL: NOTED		PART NO. 479B9V00	
COLOR:	DRG CLASS: *****		