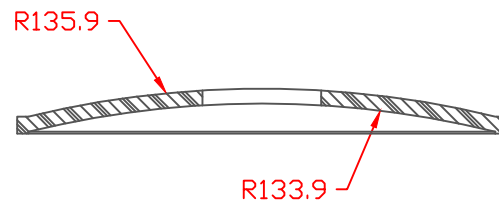
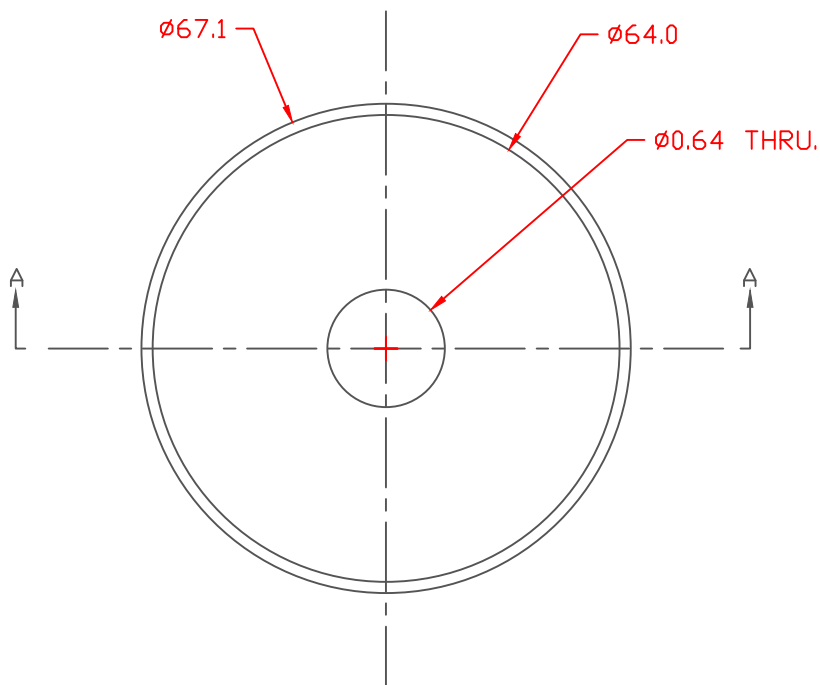


PROPRIETARY RIGHTS ARE CLAIMED FOR THE MATERIAL DISCLOSED IN THIS DRAWING.

LTR.	REVISIONS	DATE
≡	*****	00-00-98



TOLERANCE UNLESS OTHERWISE SPECIFIED: ±.030"/±0.8mm
 RADIAL DIAMETERS TO BE MEASURED OVER MANDRELS,
 RING GAGES OR PIN GAGES OF SUITABLE SIZE

Material: Polypropylene
 Material Part No: 7209750302
 Max. Operating Temp: 550 F
 Durometer: 110 R-Scale
 Specific Gravity: 1.13
 Ult. Elongation %: 2.5
 Modulus PSI: *****
 Tensile Strength PSI: 9500
 Dielectric Strength, v./ml: *****
 MEETS: UL94HB



VTE Incorporated
 5437 Robinson Road, P.O. Box 790
 Pellston, Michigan 49769
 Telephone: 1-800-527-9256, 231-539-8000
 FAX: 231-539-0914

REF:	DATE: 17SEP10	DRN BY: JC	WEIGHT: 7 grams
TITLE: DISK, PROTECTIVE		CHK'D BY:	
MATERIAL:		PART NO. 479C6P02	
COLOR:	DRG CLASS		